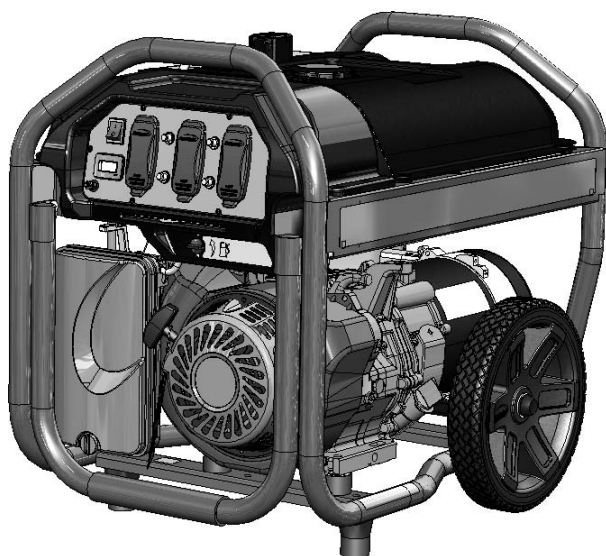


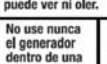
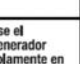




ELECTRIC GENERATOR • GROUPE ELECTROGENE • GENERADOR ELECTRICO



**PM0125500**

<p><b>⚠ DANGER</b> Using a generator indoors <b>CAN KILL YOU IN MINUTES.</b> Generator exhaust contains carbon monoxide. This is a poison you cannot see or smell.</p>  <p><b>NEVER</b> use inside a home or garage, <b>EVEN IF</b> doors and windows are open.</p>	<p><b>⚠ DANGER</b> L'utilisation d'un générateur à l'intérieur <b>PEUT VOUS TUER EN QUELQUES MINUTES.</b> L'émission d'un générateur contient du monoxyde de carbone. Cela est un délétere invisible et inodore.</p>  <p>Only use <b>OUTSIDE</b> and far away from windows, doors and vents.</p>	<p><b>⚠ PELIGRO</b> La utilización de un generador en un lugar interior <b>PUEDA MATARLO A USTED EN MINUTOS.</b> Los gases de escape del generador contienen monóxido de carbono. Este es un venenoso que usted no puede ver ni oler.</p>  <p>No use nunca el generador dentro de una casa o un garaje, <b>INCLUSO SI</b> las ventanas y las puertas están abiertas.</p>  <p>Use el generador solamente en el <b>EXTERIOR</b> y alejada de las ventanas, las puertas y los respiraderos.</p>
<p>Avoid other generator hazards. READ MANUAL BEFORE USE.</p>	<p>Évitez les autres risques associés à générateur. LISEZ LE MANUEL AVANT USAGE.</p>	<p>Evite otros peligros del generador. LEA EL MANUAL DEL USUARIO ANTES DE USARLO.</p>

**IMPORTANT** – Please make certain that persons who are to use this equipment thoroughly read and understand these instructions and any additional instructions provided prior to operation.

Record the serial number as indicated on your Generator's nameplate:

Serial No. \_\_\_\_\_

**IMPORTANT** - Prière de vous assurer que les personnes destinées à utiliser cet appareil ont pris soin d'en lire et d'en comprendre le mode d'emploi ou les directives avant de le mettre en marche.

Enregistrer le numéro de série figurant sur la plaque signalétique du groupe électrogène:

Nº de série \_\_\_\_\_

**IMPORTANTE** - Asegúrese que las personas que utilizarán este equipo lean y entiendan completamente estas instrucciones y cualquier instrucción adicional proporcionada antes del funcionamiento.

Registre de serie como se indica en la placa del nombre de su generador:

No. de serie \_\_\_\_\_



**DO NOT RETURN TO STORE!**

**CALL US FIRST!**  
CUSTOMER HOTLINE  
1-800-445-1805



**FOR QUESTIONS OR SERVICE INFORMATION**



**NE PAS RETOURNER AU MAGASIN!**

**APPELEZ-NOUS D'ABORD!**  
ASSISTANCE TELEPHONIQUE  
A LA CLIENTELE  
1-800-445-1805



**POUR L'INFORMATION DE QUESTIONS OU SERVICE**



**NO LO DEVUELVA A LA TIENDA!**

**¡PRIMERO LLÁMENOS!**  
LÍNEA DIRECTA DE ATENCIÓN  
AL CLIENTE  
1-800-445-1805



**PARA la INFORMACION de PREGUNTAS O SERVICIO**

## TABLE OF CONTENTS

Safety and operation rules . . . . .	3	Oil replacement . . . . .	9
Spark arresting muffler . . . . .	4	Air filter cleaning . . . . .	9
Determining total wattage . . . . .	4	Fuel strainer cleaning . . . . .	9
Operating voltage . . . . .	5	Valve Clearance . . . . .	10
Installation . . . . .	5	Spark arrester screen . . . . .	10
Generator features . . . . .	6	Brushes . . . . .	10
Before operation . . . . .	7	Inspecting the brushes . . . . .	10
Ground fault circuit interrupter (GFCI) . . . . .	7	Heat shield . . . . .	10
Grounding the generator . . . . .	7	Engine carburetor icing . . . . .	10
Lubrication . . . . .	7	Quick starting tips . . . . .	10
Low oil sensor . . . . .	7	Service and storage . . . . .	10
Fuel . . . . .	7	Infrequent service . . . . .	10
Positioning . . . . .	7	Long term storage . . . . .	10
Starting the unit . . . . .	8	Engine troubleshooting . . . . .	11
Pre-start preparation . . . . .	8	Engine specifications . . . . .	11
Starting the engine . . . . .	8	Service information . . . . .	12
Applying load . . . . .	8	Limited warranty . . . . .	12
Shutting the generator off . . . . .	8	Parts drawings and parts list . . . . .	34-37
Periodic Maintenance . . . . .	9	Emission control warranty . . . . .	38-39
Maintenance . . . . .	9		
Spark plug . . . . .	9		
Oil type . . . . .	9		

## TABLE DES MATIERES

Règles d'opération et de sécurité . . . . .	13	Remplacement d'huile . . . . .	19
Silencieux pare-étincelles . . . . .	14	Nettoyage du filtre à air . . . . .	19
Détermination de la puissance totale nécessaire . . . . .	14	Nettoyage de la crépine du réservoir à carburant . . . . .	19
Vérifier la tension . . . . .	15	Jeu des soupapes . . . . .	20
Installation . . . . .	15	L'écran pare-étincelles . . . . .	20
Caractéristiques du groupe électrogène . . . . .	16	Les balais . . . . .	20
Avant de mettre en marche . . . . .	17	Inspection des balais . . . . .	20
Protection avec disjoncteur différentiel (GFCI) . . . . .	17	Écrans de chaleur . . . . .	20
Mise en place de l'appareil . . . . .	17	Givrage du carburateur . . . . .	20
Lubrification . . . . .	17	Trucs de démarrage rapide . . . . .	20
Le détecteur de bas niveau d'huile . . . . .	17	Usage et entreposage . . . . .	20
Carburant . . . . .	17	Usage peu fréquent . . . . .	20
Positionnement . . . . .	17	Entreposage à long terme . . . . .	20
Démarrage de l'appareil . . . . .	18	Depannage du moteur . . . . .	21
Préparatifs au démarrage . . . . .	18	Caractéristiques du moteur . . . . .	21
Démarrage du moteur . . . . .	18	Service clientèle . . . . .	22
Branchement des appareils . . . . .	18	Garantie limitée . . . . .	22
Arrêt de l'appareil . . . . .	18	Schema des pièces et liste des pièces . . . . .	34-37
Entretien périodique . . . . .	19		
Entretien . . . . .	19		
La bougie d'allumage . . . . .	19		
Le type d'huile . . . . .	19		

## INDICE

Reglas de seguridad y de funcionamiento . . . . .	23	Cambio del aceite . . . . .	29
Silenciador apagachispas . . . . .	24	Cómo limpiar el filtro de aire . . . . .	29
Como determinar el vataje total . . . . .	24	Limpieza del filtro de combustible . . . . .	29
Requerimiento de voltaje . . . . .	25	Claridad de la valvula . . . . .	30
Instalacion . . . . .	25	Protector del parachispas . . . . .	30
Características del generador . . . . .	26	Escobillas . . . . .	30
Antes de la operacion . . . . .	27	Revisión de las escobillas . . . . .	30
Protección de interruptor de circuito de falla de conexión a tierra (GFCI, por sus siglas en inglés) . . . . .	27	Escudo contra el calor . . . . .	30
Puesta a tierra del generador . . . . .	27	Congelamiento del carburador del motor . . . . .	30
Lubrificación . . . . .	27	Instrucciones rápidas para el arranque . . . . .	30
El sensor del nivel bajo de aceite . . . . .	27	Servicio y almacenamiento . . . . .	30
Combustible . . . . .	27	Servicio poco frecuente . . . . .	30
Colocación . . . . .	27	Almacenamiento a largo plazo . . . . .	30
Arranque de la unidad . . . . .	28	Deteccion de fallos del motor . . . . .	31
Preparacion antes de arrancar . . . . .	28	Especificaciones del motor . . . . .	31
Arranque del motor . . . . .	28	Informacion de servicio al cliente . . . . .	32
Como aplicar una carga . . . . .	28	Garantia limitada . . . . .	32
Apagado del generador . . . . .	28	Diagrama de piezas y lista de piezas . . . . .	34-37
Mantenimiento periódico . . . . .	29		
Mantenimiento . . . . .	29		
Bujia . . . . .	29		
Tipo de aceite . . . . .	29		

## SAFETY INFORMATION



### DANGER

DANGER indicates a potentially hazardous situation which, if not avoided, WILL result in death or serious injury.



### WARNING

WARNING indicates a potentially hazardous situation which, if not avoided, could result in death or serious injury.



### CAUTION

CAUTION indicates a potentially hazardous situation which, if not avoided, may result in minor or moderate personal injury, or property damage.

## SAFETY AND OPERATION RULES



**WARNING - Failure to follow these instructions and warnings may result in death, personal injury, or property damage.**



1. Read carefully and understand operator manual prior to operation of this product. Follow all warnings and instructions.
2. Know your equipment. Consider the applications, limitations, and the potential hazards specific to your unit.
3. Equipment must be placed on a firm, supporting surface.
4. Load must be kept within rating stated on generator nameplate. Overloading will damage the unit or shorten its life.
5. Engine must not be run at excessive speeds. Operating an engine at excessive speeds increases the hazard of personal injury.  
**Do not tamper with parts which may increase or decrease the governed speed.**
6. To prevent accidental starting, always remove the spark plug or cable from the spark plug before maintaining the generator or engine.
7. Units with broken or missing parts, or without protective housing or covers, should never be operated. Contact your service center for replacement parts.
8. Units should not be operated or stored in wet or damp conditions or on highly conductive locations such as metal decking and steel work.
9. Keep the generator clean and free of oil, mud and other foreign matter.
10. Extension cords, power cords, and all electrical equipment must be in good condition. Never operate electrical equipment with damaged or defective cords.



11. Store the generator in a well ventilated area with the fuel tank empty. Fuel should not be stored near the generator.
12. Your generator should never be operated under these conditions:
  - a. Uncontrolled change in engine speed.
  - b. Electrical output loss.
  - c. Overheating in connected equipment.
  - d. Sparking.
  - e. Damaged receptacles.
  - f. Engine misfire.
  - g. Excessive vibration.
  - h. Flame or smoke.
  - i. Enclosed compartment.
  - j. Rain, snow or inclement weather. Do not let the unit get wet when operating.**
13. Check the fuel system periodically for leaks or signs of deterioration such as chafed or spongy hose, loose or missing clamps, or damaged tank or cap. All defects should be corrected before operation.
14. The generator should be operated, serviced, and refueled only under the following conditions:
  - a. Start and run the generator outdoors. Do not run the generator in an enclosed area, even if doors or windows are open; avoid areas where vapors may be trapped, such as pits, garages, cellars, excavations and boat bilges. DANGER - CARBON MONOXIDE HAZARD: The engine exhaust contains carbon monoxide, a poisonous, odorless, invisible gas which, if breathed, may cause death or serious personal injury. If you start to feel sick, dizzy or weak while using the generator, shut it off and get to fresh air right away; you may have carbon monoxide poisoning.**
  - b. Good ventilation for cooling. Air flow and temperatures are important for air cooled units. Temperatures should not exceed 104° F ambient (40° C).**
  - c. Refuel the generator in a well lighted area. Avoid fuel spills and never refuel while the generator is running. Allow engine to cool for two minutes prior to refueling.

- d. Do not refuel near open flames, pilot lights, or sparking electrical equipment such as power tools, welders, and grinders.
- e. The muffler and air cleaner must be installed and in good condition at all times as they function as flame arresters if backfiring occurs.
- f. Do not smoke near the generator.

15. Ensure that generator is properly grounded. (See “Grounding the generator” section in this manual.)



16. Do not wear loose clothing, jewelry, or anything that may be caught in the starter or other rotating parts.

17. Unit must reach operating speed before electrical loads are connected. Disconnect loads before turning off engine.

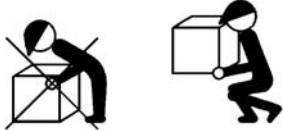
18. To prevent surging that may possibly damage equipment, do not allow engine to run out of fuel when electrical loads are applied.

19. When powering solid state equipment, a Power Line Conditioner should be used to avoid possible damage to equipment.

20. Do not stick anything through ventilating slots, even when the generator is not operating. This can damage the generator or cause personal injury.

21. Before transporting the generator in a vehicle, drain all fuel to prevent leakage that may occur.

22. Use proper lifting techniques when transporting the generator from site to site. Improper lifting techniques may result in personal injury.



23. To avoid burns, do not touch engine muffler or other engine or generator surfaces which became hot during operation.

## SPARK ARRESTER

**YOUR PRODUCT MAY NOT BE EQUIPPED WITH A SPARK ARRESTING MUFFLER.** If the product will be used around flammable materials, such as agricultural crops, forests, brush, grass, or other similar items, then an approved spark arrester should be installed and is legally required in the State of California. The California statutes requiring a spark arrester are Sections 13005(b), 4442 and 4443. Spark Arresters are also required on some U.S. Forest Service land and may also be legally required under other statutes and ordinances. An approved spark arrester is available from our product dealers, or may be ordered from Pramac America, LLC, P.O. Box 6001, Kearney, Nebraska 68847. 1-800-445-1805.

## DETERMINING TOTAL WATTAGE

In order to prevent overloading and possible damage to your generator it is necessary to know the total wattage of the connected load. To determine which tools and/or appliances your generator will run follow these steps:

1. Determine if you want to run one item or multiple items simultaneously.
2. Check wattage requirements for the items you will be running by referring to the load's nameplate or by calculating it (multiply amps x volts = watts).
3. Total the watts for each item. If the nameplate only gives volts and amps, multiply volts x amps = watts.  
**1 KW = 1,000 watts.**
4. Motorized appliances or tools require more than their rated wattage for start up.

**NOTE: Allow 2 1/2 to 4 times the listed wattage for starting equipment powered by electric motors.**

5. The generator's rated watts should match or exceed the total number of watts required for the equipment you want to run.
6. Always connect the heaviest load to the generator first, then add other items one at a time.

## OPERATING VOLTAGE



## CAUTION

**CAUTION: Operating voltage and frequency requirement of all electronic equipment should be checked prior to plugging them into this generator. Damage may result if the equipment is not designed to operate within a +/- 10% voltage variation, and +/- 3 hz frequency variation from the generator name plate ratings. To avoid damage, always have an additional load plugged into the generator if solid state equipment (such as a television set) is used. A power line conditioner is recommended for some solid state applications.**

A power line conditioner should be used when running one or more of the following solid state items:

- Garage door openers
- Kitchen appliances with digital displays
- Televisions
- Stereos
- Personal computers
- Quartz clocks
- Copy machines
- Telephone equipment

Other solid state equipment may require a power line conditioner. For more information, contact our Customer Service Department at 1-800-445-1805.

## INSTALLATION



## WARNING



**To avoid possible personal injury or equipment damage, a registered electrician or an authorized service representative should perform installation and all service. Under no circumstances should an unqualified person attempt to wire into a utility circuit.**

To avoid backfeeding into utility systems, isolation of the residence electrical system is required.

Before temporary connection of the generator to the residence electrical system, turn off the main service/disconnect.

If your generator is to be used as a stand-by power source in case of utility power failure, it should be installed by a registered electrician and in compliance with all applicable local electrical codes.

Proper use requires that a double throw transfer switch be installed by a licensed qualified electrician so that the building's electrical circuits may be safely switched between utility power and the generator's output, thereby preventing backfeed into the power utility's electrical system.



## WARNING



**To avoid backfeeding into utility systems, isolation of the residence electrical system is required. Before temporary connection of a generator to the residence electrical system turn off the main switch. Before making permanent connections a double throw transfer switch must be installed. To avoid electrocution or property damage, only a trained electrician should connect generator to residence electrical system. California law requires isolation of the residence electrical system before connecting a generator to residence electrical systems. Temporary connection not recommended due to backfeeding.**

Always follow local codes and regulations that apply to the installation of any item that concerns this product.

1. NFPA 70 - National Electrical Code.
2. NFPA 37 - Standard for Installation and Use of Stationary Combustible Engines.
3. Agricultural Wiring handbook of Farm Standby Electric Power.

## GENERATOR FEATURES

### A. Control Panel

**NOTE: Total power drawn from all receptacles must not exceed the nameplate ratings.**

### B. 120 V, 20 Ampere Receptacle

20 amps of current may be drawn from the receptacle.

However, total power drawn must be kept within nameplate ratings.



### C. 120/240 V, 30 Ampere Twistlock Receptacle

Maximum full load current may be drawn from the 120/240 volt receptacle, provided it is the only receptacle used. Total current must be limited to the nameplate rating.

If the 120/240 volt receptacle is used along with the 120 volt receptacle, the total load drawn must not exceed the nameplate ratings.



### D. Receptacle Covers

### E. Circuit Protectors

The receptacles are protected by an AC circuit protector. If the generator is overloaded or an external short circuit occurs, the circuit protector will trip. If this occurs, disconnect all electrical loads and try to determine the cause of the problem before attempting to use the generator again. If overloading causes the circuit protector to trip, reduce the load. **NOTE: Continuous tripping of the circuit protector may cause damage to generator or equipment.** The circuit protector may be reset by pushing the button of the protector.

### F. Slide-Out Quick Instruction Card

### G. Ground Terminal

### H. Hour Meter

- Press and release mode button to toggle between **Total Timer** and **Timer 1 (TMR1)**.
- **Total Timer** displays and records the total hours your generator has run. **Total Timer** is not resettable.
- **Timer 1** can be used to track operating hours for service intervals. **Timer 1** is resettable by holding the mode button down for 3 seconds while **TMR1** is displayed.

### I. Engine On/Off Switch

### J. 389 CC OHV Engine

### K. Recoil Starter

### L. Engine Choke Lever

### M. Oil Filler Cap

### N. Oil Drain Plug

### O. 7 Gallon Metal Fuel Tank

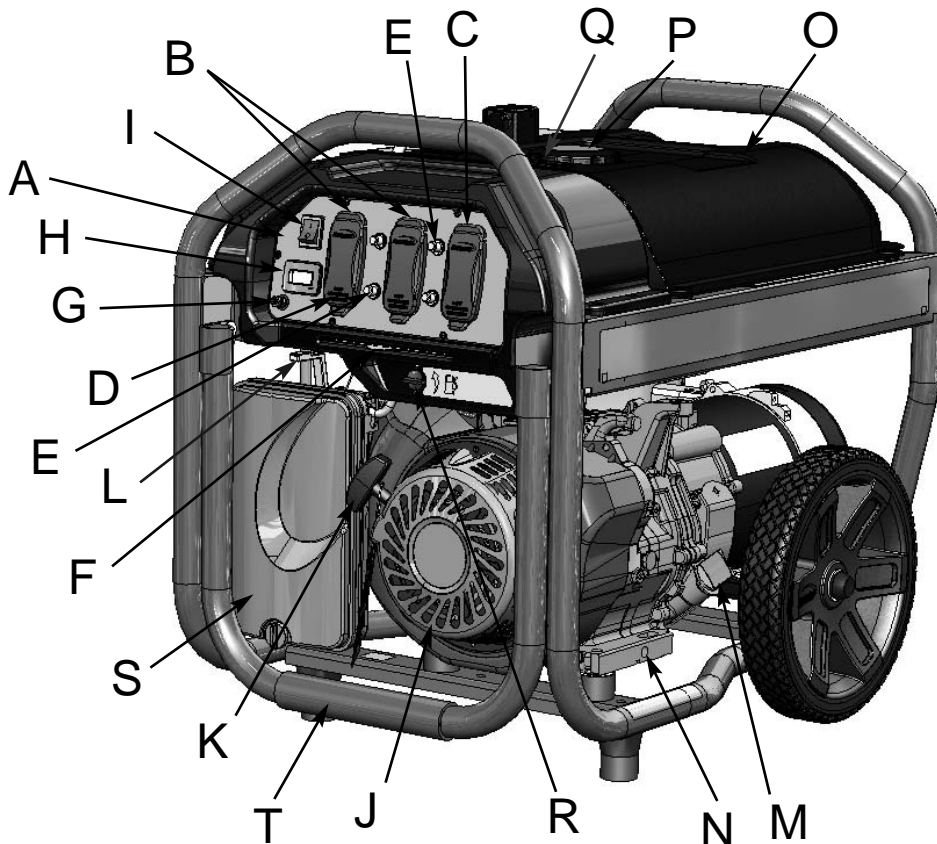
### P. Fuel Tank Cap

### Q. Fuel Gauge

### R. Fuel Shut-Off Valve

### S. Air Filter

### T. Folding Handle



## BEFORE OPERATION

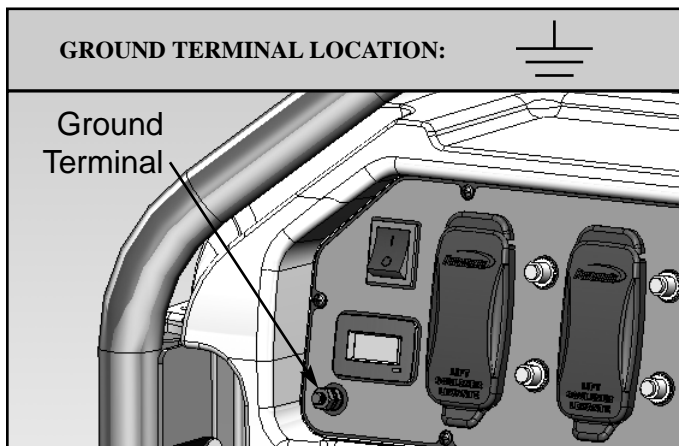
### GROUND FAULT CIRCUIT INTERRUPTER (GFCI) PROTECTION

Some jobsites and local codes may require GFCI protection for personnel before operation of your generator. If your generator is not already equipped with a GFCI receptacle, GFCI In-line cord sets may be purchased from your local electrical supply store or home builder appliance store.

These cord sets are available in various plug and amperage configurations. **(Make sure your generator is properly Grounded.)**

### GROUNDING THE GENERATOR

The National Electric Code requires that this product be properly connected to an appropriate earth ground to help prevent electric shock. A ground terminal connected to the frame of the generator has been provided for this purpose. Connecting a length of heavy gauge (12 AWG min.) copper wire between the generator Ground Terminal and a copper rod driven into the ground should provide a suitable ground connection. However, consult with a local electrician to insure that local codes are being adhered to.



## WARNING



**Do not use a pipe carrying combustible material as the ground source.**

### LUBRICATION

**DO NOT** attempt to start this engine without filling the crank case with the proper amount and type of oil. Your generator has been shipped from the factory **without oil** in the crankcase. Operating the unit without oil can damage the engine.

Fill the engine with oil according to the operator manual. For units with a dipstick, fill oil to the proper level. Units without a dipstick should be filled to the top of the opening of the oil fill.

### LOW OIL SENSOR

The unit is equipped with a low oil sensor. If the oil level becomes lower than required, the sensor will activate a warning device or stop the engine.

If generator shuts off and the oil level is within specifications, check to see if generator is sitting at an angle that forces oil to shift. Place on an even surface to correct this. If engine fails to start, the oil level may not be sufficient to deactivate low oil level switch. Make sure the sump is completely full of oil.

### FUEL

Fill the tank with clean, fresh unleaded automotive gasoline. Regular grade gasoline may be used provided a high octane rating is obtained (at least 85 pump octane). We recommend always using a fuel stabilizer. A fuel stabilizer will minimize the formulation of fuel gum deposits during storage. The fuel stabilizer can be added to the gasoline in the fuel tank, or into the gasoline in a storage container.



## CAUTION



- **SLOWLY ADD UNLEADED GASOLINE TO FUEL TANK**
- **DO NOT OVERFILL TANK**
- **DO NOT FILL ABOVE TOP OF FUEL SCREEN. THIS WILL ALLOW EXPANSION IN HOT WEATHER AND PREVENT OVERFLOW.**



### POSITIONING

- Place the generator set on a flat and solid surface to prevent it from sinking.
- Keep fuel, oil or other explosives at a safe distance from the generator set.
- Select a site that is well ventilated and protected from the weather.
- Place the generator set safely away from people and animals.



**CAUTION: TILTING CAN CAUSE FUEL SPILLAGE**



## STARTING THE UNIT

### **WARNING**



Gasoline is very dangerous. Serious injury or death may result from fire caused by gasoline contacting hot surfaces.

1. Do not fill fuel tank with engine running.
2. Do not spill fuel while refilling tank.
3. Do not mix oil with gasoline.
4. Follow all instructions and warnings in the operator manual.

### **DANGER**



- Provide adequate ventilation for toxic exhaust gases and cooling air flow.
- Do not start or run the generator in an enclosed area, even if door or windows are open.
- Engines give off carbon monoxide, an odorless, colorless, poison gas.
- Breathing carbon monoxide can cause nausea, fainting or death.

## PRE-START PREPARATION

Before starting the generator, check for loose or missing parts and for any damage which may have occurred during shipment.

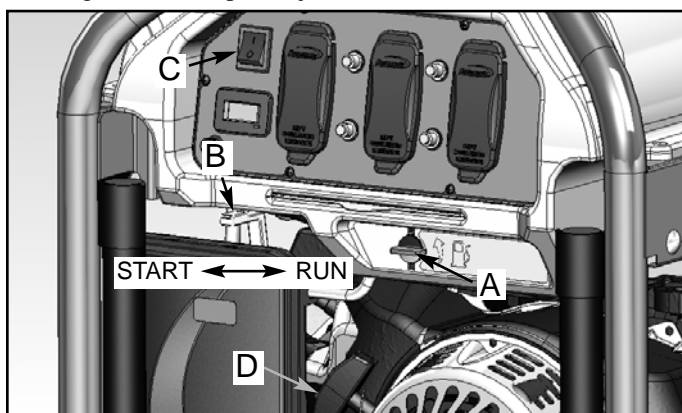
### **WARNING**



This generator must not be operated without all factory installed heat shields in place. Failure to comply may cause the fuel tank to overheat and result in personal injury from fire.

## STARTING THE ENGINE

1. Check oil level and fuel.
2. Disconnect all electrical loads from the unit.
3. Open fuel shut off valve (A).
4. Adjust choke (B) as necessary.
5. Set the engine switch (C) to the "ON" position.
6. Pull on the starter rope (D) with fast steady pull. As the engine warms up, readjust the choke.



### **CAUTION**



Allow generator to run at no load for five minutes upon each initial start-up to permit engine and generator to stabilize.

## APPLYING LOAD

This unit has been pretested and adjusted to handle its full capacity. When starting the generator, disconnect all load. Apply load only after generator is running. Voltage is regulated via the engine speed adjusted at the factory for correct output. Readjusting will void warranty.

### **CAUTION**



When applying a load, do not exceed the maximum wattage rating of the generator when using one or more receptacles. Also, do not exceed the amperage rating of any one receptacle.

### **CAUTION**



Do not apply heavy electrical load during break-in period (the first two to three hours of operations).

## SHUTTING THE GENERATOR OFF

1. Remove entire electrical load.
2. Let the engine run for two minutes without load.
3. Move the engine switch to the "OFF" position.
4. Do not leave the generator until it has completely stopped.
5. Close the fuel shut off valve if the engine is to be put in storage or transported.
6. If a cover is used, do not install until unit has cooled.
7. If the generator will not be used again for an extended time period, refer to the **SERVICE AND STORAGE** section of this manual.



## PERIODIC MAINTENANCE

ITEM	NOTES	Daily (Before operation)	Initial 20 hours	Every 50 hours	Every 100 hours
Spark Plug	Check condition. Adjust gap and clean. Replace if necessary.			✓	
Engine Oil	Check oil level.	✓			
	Replace.		✓		✓
Air Filter	Clean, replace if necessary.			✓	
Fuel Filter	Clean fuel filter and fuel tank strainer. Replace if necessary.				✓
Fuel Line	Check fuel hose for cracks or other damage. Replace if necessary.	✓			
Exhaust System	Check for leakage. Retighten or replace gasket if necessary.	✓			
	Check muffler screen. Clean/replace if necessary.			✓	
Carburetor	Check choke operation.	✓			
Starting System	Check recoil starter operation.	✓			
Fittings/ Fasteners	Check. Replace if necessary.				✓

## MAINTENANCE

### SPARK PLUG

Remove the spark plug and clean the electrodes section with a wire brush or sandpaper. Next, set the gap at .024/.031 inches (0.6-0.8 mm) by adjusting the negative electrode. Replace the spark plug with correct torque: 14 ft-lb (20 N.m)



## CAUTION

**Replace with only the same type of spark plug which was removed. An improper spark plug can cause the engine to overheat, emit smoke, or otherwise perform poorly.**

### OIL TYPE

Use new good quality oil, SJ or later service category. The oil to be used depends upon the temperature at which the engine is operated:

Below 32° F (0° C) . . . . .SAE 10W, 10W-30, or 10W-40  
 32 to 80° F (0 to 25° C) . . . . .SAE 20W, 10W-30, or 10W-40  
 80 to 95° F (25 to 35° C) . . . . .SAE 30W, 10W-30, or 10W-40  
 Above 95° F (35° C) . . . . .SAE 40W

### OIL REPLACEMENT

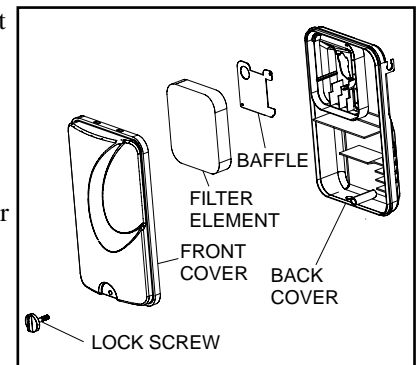
1. Change oil while engine is warm.
2. Place the generator unit on a level surface.
3. Remove the oil filler cap.
4. Open the oil drain plug and let oil drain completely into a

pan placed under the engine.

5. Check gaskets. Replace if required.
6. Reinstall the oil drain plug and refill engine with clean oil.
7. Replace the oil filler cap.

### AIR FILTER CLEANING

1. Unscrew the air filter cover.
2. Remove filter element and wash well in solvent.
3. Pour a small amount of oil onto the filter element and gently squeeze out any excess oil.
4. Replace the filter element and air filter cover.
5. Be sure the filter cover seals properly all around.



### FUEL STRAINER CLEANING

1. Remove the plastic fuel strainer, located below the fuel tank cap.
2. Wash the strainer in solvent and replace.

## VALVE CLEARANCE

Intake — 0.1 mm - 0.15 mm (.004 inch - .006 inch)

Exhaust — 0.15 mm - 0.20 mm (.006 inch - .008 inch)

**After the first 50 hours of operation, check the valve clearance in the engine and adjust if necessary.**

**NOTICE:** If unsure about doing this procedure or the proper tools are not available, take the generator to the nearest service center to have the valve clearance adjusted. This is a very important procedure to ensure longest life for the engine.

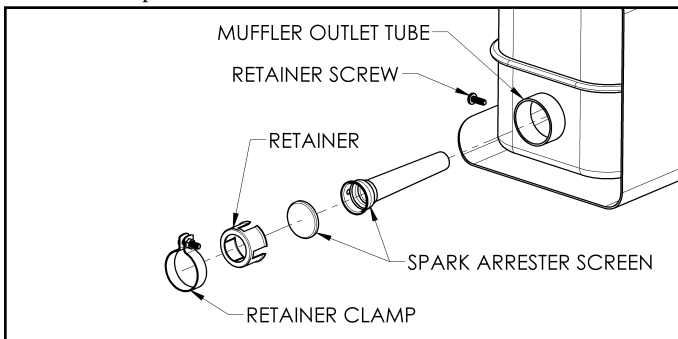
## SPARK ARRESTER SCREEN

Remove screen every 50 hours for cleaning and inspection.

**Replace if damaged.**

**Clean and inspect the spark arrester as follows:**

1. Remove the screen retainer by removing the retainer clamp.
2. Remove the retainer screw from the muffler outlet tube.
3. Slide the spark arrester screen out from the muffler outlet tube.
4. Be careful not to damage the spark arresting screen. The spark arrester must be free of breaks and holes. If screen is not damaged, clean it with a commercial solvent.
5. Replace the screen and retainer and secure with retainer screw and clamp.



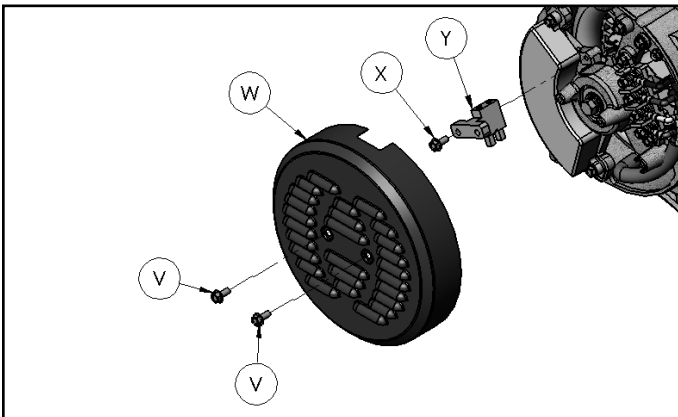
## GENERATOR: Brushes

The brushes in the generator should be inspected once every year for chips and cracks. Brushes should be replaced when they are worn to 1/4 inch (7mm).

**NOTE: Replace brushes in sets only, never separately. Replace only with brushes specified in parts list. Other brushes may appear to be identical but may have completely different mechanical and electrical characteristics.**

## INSPECTING THE BRUSHES:

1. Remove 2 screws (V) and end cover (W).
2. Remove screw (X) holding the brush module (Y).
3. Disconnect the blue (+) and yellow (-) brush wires from the tabs.
4. Replace if worn to 1/4 inch (7mm).
5. Do not over tighten screw.



## HEAT SHIELD:

Inspect to ensure that all heat shields and heat deflectors are intact and in place. Do not remove any parts or modify parts. Removing or modifying parts could cause serious damage to the unit.

## ENGINE: Carburetor Icing

During the winter months, rare atmospheric conditions may develop which will cause an icing condition in the carburetor. If this develops, the engine may run rough, loose power, and may stall. Call Product Service for more information.

## QUICK STARTING TIPS FOR UNITS THAT HAVE BEEN SITTING FOR AWHILE:

If your unit has been sitting around for a long time period and is hard to start, try doing some of these easy steps before calling the Customer Hotline.

1. Check the oil level.
2. Replace the old fuel.
3. Change the spark plug.
4. Check the fuel lines. Make sure the fuel shut off valve is open.
5. Check all generator parts for integrity.
6. Clean the Carburetor.

## SERVICE AND STORAGE

### INFREQUENT SERVICE

If the unit is used infrequently, difficult starting may result. To eliminate hard starting, follow these instructions:

1. Run the generator at least 30 minutes every month.
2. Run the generator, then close the fuel shut-off valve and allow the unit to run until the engine stops.
3. Move the engine switch to the "OFF" position.

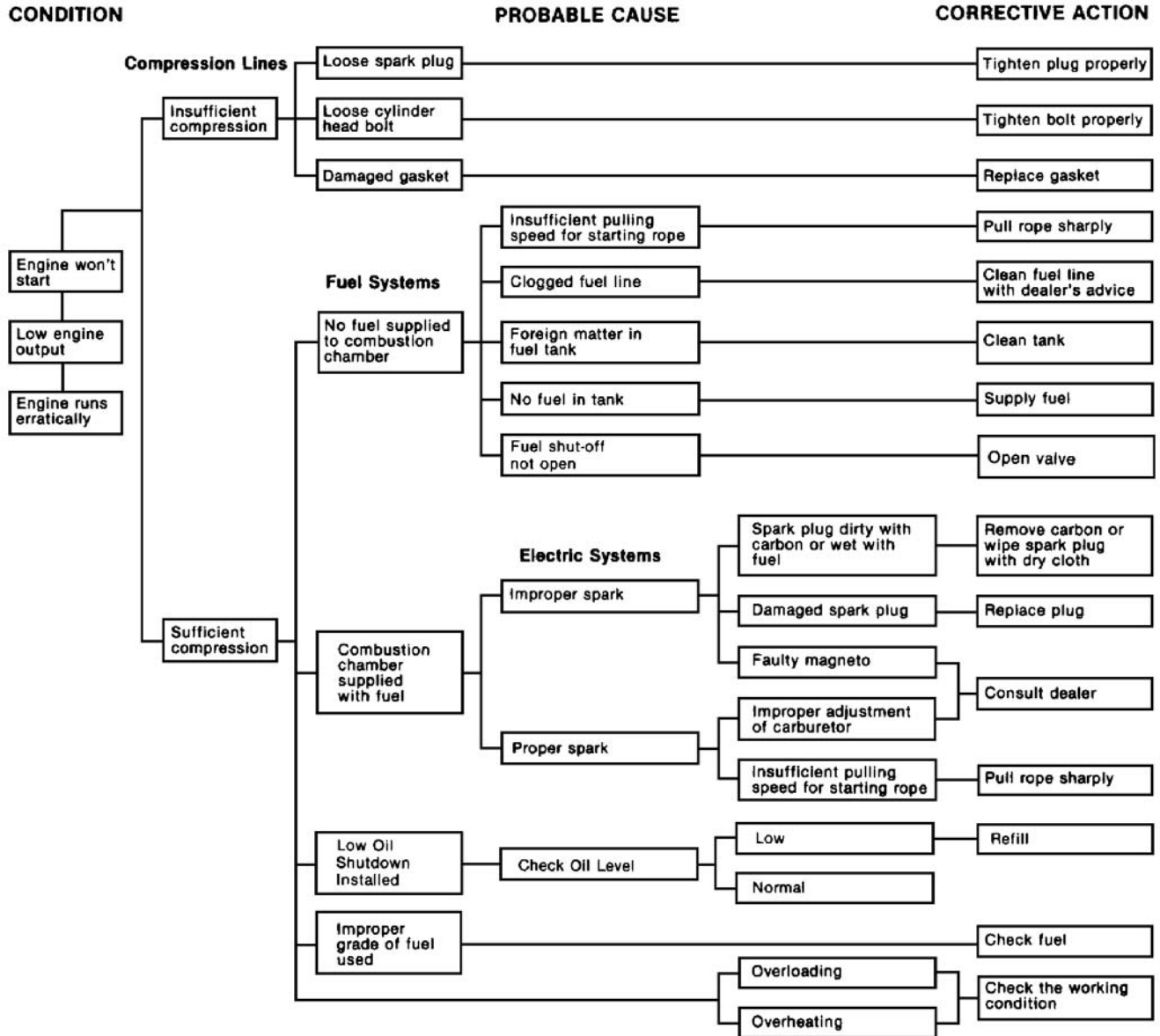
### LONG TERM STORAGE

When the generator set is not being operated or is being stored more than one month, follow these instructions:

1. Replenish engine oil to upper level.
2. Run the generator, then close the fuel shut-off valve and allow the unit to run until the engine stops.
3. Move the engine switch to the "OFF" position.
4. After the unit has cooled, drain gasoline from fuel tank, fuel line and carburetor.
5. Pour about one teaspoon of engine oil through the spark plug hole, pull the recoil starter several times and replace the plug. Then pull the starter until you feel the piston is on its compression stroke and leave it in that position. This closes both the intake and exhaust valves to prevent the inside of the cylinder from rusting.
6. Cover the unit and store in a clean, dry place that is well ventilated away from open flame or sparks.

**NOTE: We recommend always using a fuel stabilizer. A fuel stabilizer will minimize the formulation of fuel gum deposits during storage. The fuel stabilizer can be added to the gasoline in the fuel tank, or into the gasoline in a storage container.**

# ENGINE TROUBLESHOOTING



# ENGINE SPECIFICATIONS

Type	.4-stroke, single cylinder, gasoline, OHV
Displacement	.389 cc, 23.74 cubic inches
Nominal RPM	.3600
Starting System	.Recoil
Oil Capacity	.37 oz. (1.1 L)
Spark Plug	.NGK BPR7ES or equivalent
Governor	.Mechanical (adjustable)
Cooling System	.Forced air cooling
Air Cleaner Type	.Foam element

## SERVICE INFORMATION

**CONTACT THE  
PRAMAC AMERICA  
PRODUCT SERVICE  
DEPARTMENT AT  
1-800-445-1805  
or at [www.powermate.com](http://www.powermate.com)  
to obtain warranty service  
information or to order  
replacement parts or  
accessories.**

### HOW TO ORDER REPLACEMENT PARTS

Even quality built equipment such as the electric generator you have purchased, might need occasional replacement parts to maintain it in good condition over the years. To order replacement parts, please give the following information:

1. Model No. and Serial No. and all specifications shown on the Model No./Serial No. plate.
2. Part number or numbers as shown in the Parts List section.
3. A brief description of the trouble with the generator.

**Pramac America, LLC  
4970 Airport Road  
P. O. Box 6001  
Kearney, NE 68847  
1-800-445-1805  
[www.powermate.com](http://www.powermate.com)**

**REGISTER YOUR PRODUCT**

**Register your Powermate® generator  
online at [www.powermate.com](http://www.powermate.com).**



## LIMITED WARRANTY

**Warranty Coverage:** Pramac America, LLC (the Company) warrants to the original retail customer in North America that it will repair or replace, free of charge, any parts found by the Company or its authorized service representative to be defective in material or workmanship. This warranty covers the cost of replacement parts and labor for defects in material or workmanship.

**Not Covered:**

- Transportation charges for sending the product to the Company or its authorized service representative for warranty service, or for shipping repaired or replacement products back to the customer; these charges must be borne by the customer.
- If a separate operator's manual and engine warranty from the engine manufacturer is included with this product, only that warranty will apply to the engine.
- Damages caused by abuse or accident, and the effects of corrosion, erosion and normal wear and tear.
- Warranty is voided if the customer fails to install, maintain and operate the product in accordance with the instructions and recommendations of the Company set forth in the owner's manual, or if the product is used as rental equipment.
- The Company will not pay for repairs or adjustments to the product, or for any costs or labor, performed without the Company's prior authorization.

**Warranty Period:** Two (2) years from the date of purchase on products used solely for consumer applications; if a product is used for business or commercial applications, the warranty period will be limited to one (1) year from the date of purchase. For warranty service, the customer must provide dated proof of purchase and must notify the Company within the warranty period.

**For warranty service: Call toll free 800-445-1805, or write to Pramac America, LLC, Product Services, 4970 Airport Road, P. O. Box 6001, Kearney, NE 68847.**

**EXCLUSIONS AND LIMITATIONS:** THE COMPANY MAKES NO OTHER WARRANTY OF ANY KIND, EXPRESS OR IMPLIED. IMPLIED WARRANTIES, INCLUDING WARRANTIES OF MERCHANTABILITY AND OF FITNESS FOR A PARTICULAR PURPOSE, ARE HEREBY DISCLAIMED. THE WARRANTY SERVICE DESCRIBED ABOVE IS THE EXCLUSIVE REMEDY UNDER THIS WARRANTY; LIABILITY FOR INCIDENTAL AND CONSEQUENTIAL DAMAGES IS EXCLUDED TO THE EXTENT PERMITTED BY LAW.

This warranty gives you specific legal rights, and you may also have other rights which vary from state to state. Some states do not allow a disclaimer of implied warranties, or the exclusion or limitation of incidental and consequential damages, so the above disclaimers and exclusions may not apply to you.

## SÉCURITÉ



### DANGER

DANGER signifie une situation susceptible de présenter un danger qui, s'il n'est pas évité, CAUSERA de sérieuses blessures, voire la mort.



### AVERTISSEMENT

L'AVERTISSEMENT Indique une situation présentant un danger potentiel et qui, en l'absence d'intervention, pourrait conduire à la mort ou entraîner de graves blessures.



### ATTENTION

La mention ATTENTION sert à prévenir l'utilisateur d'un danger potentiel qui risque d'occasionner des dommages ou des blessures légères ou modérées.

## RÈGLES D'OPÉRATION ET DE SÉCURITÉ



**AVERTISSEMENT - L'inobservation des présentes consignes et l'ignorance des avertissements qui en découlent risquent de causer des blessures et des dommages ou d'entraîner la mort.**

1. Lire attentivement le guide d'utilisation, puis s'assurer de les comprendre avant de mettre l'appareil en marche. Observer l'ensemble des avertissements et des directives s'y rapportant.
2. Se familiariser avec l'appareil et tenir compte des domaines d'usage, des restrictions et des risques potentiels qui découlent de son utilisation.
3. On doit placer l'équipement sur un support plat et solide
4. La charge doit être dans les normes spécifiées sur la plaque signalétique de l'appareil. Toute surcharge abîme l'appareil et en raccourcit la durée de vie utile.
5. Le moteur ne doit pas tourner à des vitesses excessives car ceci augmente les risques de blessures personnelles.  
**Ne touchez pas aux pièces ce qui pourrait augmenter ou réduire la vitesse régulée.**
6. Afin d'empêcher les démarrages imprévus, toujours enlever la bougie ou le câble de la bougie avant d'ajuster le groupe électrogène ou le moteur.
7. Un appareil dont les pièces sont cassées, auquel il manque des pièces ou qui n'a pas de carter ou de coquille protectrice ne doit en aucun cas être utilisé. Contacter notre service après-vente pour des pièces de rechange.
8. Ne pas faire fonctionner ou entreposer l'appareil dans un endroit humide ni sur une surface mouillée, ni dans un endroit où il sera en contact avec des surfaces conductrices telles que des planchers ou armatures métalliques.



9. Garder l'appareil propre et libre de toute huile, boue ou autre matière étrangère.
10. Les rallonges, les cordons d'alimentation et tout appareil électrique doivent être en bon état. Ne jamais faire fonctionner un appareil électrique dont le cordon d'alimentation est abîmé ou défectueux.
11. Rangez le nettoyeur haute pression dans un endroit bien ventilé, réservoir d'essence vide. On ne doit pas ranger l'essence près du groupe électrogène.
12. Vous ne devez jamais utiliser votre appareil sous ces conditions:
  - a. Modification irréversible du régime moteur.
  - b. Perte de puissance électrique.
  - c. Surchauffe d'appareils connectés.
  - d. Jaillissement d'étincelles.
  - e. Prises endommagées.
  - f. Le moteur a des ratés.
  - g. Vibrations excessives.
  - h. Flamme ou fumée.
  - i. Compartiment fermé.
  - j. Temps mauvais ou pluvieux ou neige. Éviter d'exposer l'appareil à l'humidité en cours de fonctionnement.**
13. Vérifiez le système de carburant régulièrement pour toute fuite ou signes de détérioration tels un tuyau spongieux ou usé, une bride qui manque ou desserrée ou un réservoir ou couvercle endommagé. On doit corriger ces problèmes avant de faire fonctionner l'appareil.
14. Le fonctionnement, l'entretien et le ravitaillement en carburant de l'appareil ne doivent se faire que dans les conditions suivantes :
  - a. Faites démarrer et fonctionner la génératrice à l'extérieur. Ne faites jamais fonctionner la génératrice dans un endroit clos, même si les portes et les fenêtres sont ouvertes. Évitez les endroits où les vapeurs peuvent être enfermées, comme des fosses, des garages, des caves, des excavations et des fonds de cale de bateau.**



## **DANGER - RISQUE D'ÉMISSION DE MONOXYDE DE CARBONE :**

**L'échappement des moteurs contient du monoxyde de carbone, un gaz toxique, inodore et invisible qui, s'il est respiré, peut causer de sérieuses blessures, voire la mort. Si vous ne vous sentez pas bien, êtes pris d'étourdissement ou vous sentez faible en utilisant la génératrice, mettez-la hors tension et respirez de l'air frais immédiatement car vous souffrez peut-être d'un empoisonnement au monoxyde de carbone.**

**b. Bonne aération pour le refroidissement. Le débit d'air et la température sont importants pour les systèmes à refroidissement à air. La température ne devrait pas dépasser 104° F (40° C).**

c. Refaites le plein du groupe électrogène dans un endroit bien éclairé. Évitez les débordements de carburant et ne refaites jamais le plein lorsque l'appareil est en marche.

d. Ne faites pas le plein près de flammes nues, de veilleuses ou d'équipement électrique projetant des étincelles comme les outils électriques, les soudeuses et les meuleuses.

e. Le silencieux et le filtre à air doivent toujours être en place et en bon état puisqu'ils jouent le rôle de coupe-flammes s'il y a des ratés.

f. Ne pas fumer près du générateur.

15. S'assurer que l'appareil est correctement posé sur le sol. (Voir la section «Mise en place de l'appareil» dans le présent manuel.)



16. Ne portez pas de vêtements amples, de bijoux ou toute autre chose qui pourrait se prendre dans le démarreur ou autres pièces rotatives.

17. L'appareil doit atteindre son régime de fonctionnement avant que toute charge y soit connectée. Débrancher toute charge avant d'arrêter le moteur.

18. Afin d'empêcher les pointes de tension qui pourraient endommager les appareils branchés sur la génératrice, ne pas laisser le moteur tomber en panne de carburant pendant que des appareils sont branchés dessus.

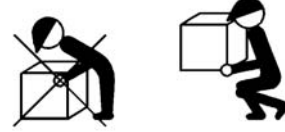
19. Lorsque vous utilisez de l'équipement en solide, vous devriez utiliser un protecteur de surtension pour éviter d'endommager l'équipement.

20. Ne rien mettre dans les fentes d'aération, même quand l'appareil n'est pas en marche. Ceci pourrait l'abîmer ou provoquer des blessures.

21. Avant de transporter la génératrice dans un véhicule, le vider de tout carburant afin

d'empêcher les fuites.

22. Pour transporter l'appareil d'un site à l'autre, utilisez les bonnes techniques de levage sinon vous pourriez vous blesser.



23. Pour éviter les brûlures, ne touchez pas au silencieux du moteur ou à toute autre surface du moteur ou du générateur qui se réchauffe durant le fonctionnement.

## **PARE-ÉTINCELLES**

**VOTRE PRODUIT PEUT NE PAS ÊTRE MUNI D'UN SILENCIEUX PARE-ÉTINCELLES.** S'il doit être utilisé à proximité de matériaux inflammables tels que récoltes, forêts, broussailles, herbes ou autres, il est fortement recommandé d'installer un pare-étincelles, par ailleurs obligatoire en Californie. Les articles de la loi californienne relatifs à l'usage de pare-étincelles sont les suivants : 13005(b), 4442 et 4443. L'usage d'un pare-étincelles est également exigé sur certains des territoires du service des Forêts américain et peut également l'être par d'autres lois et règlements. Un pare-étincelles homologué est disponible auprès de notre concessionnaires ou peut être commandé à Pramac America, LLC, P. O. Box 6001, Kearney, Nebraska 68847. Téléphone : 1-800-445-1805.

## **DÉTERMINATION DE LA PUISSANCE TOTALE NÉCESSAIRE**

Afin d'éviter à la génératrice la surcharge et les dommages possibles, il faut connaître la puissance totale de la charge branchée. Pour déterminer quels outils et/ou quels appareils peuvent fonctionner avec votre générateur, suivez ces étapes :

1. Déterminez si vous désirez faire fonctionner un ou plusieurs appareils simultanément.
2. Vérifiez les exigences normales pour démarrer et faire fonctionner les appareils voulus en vous reportant à la plaque signalétique de charge ou en effectuant ce calcul (multipliez les ampères x volts = watts).
3. Additionnez le nombre de volts de démarrage et de fonctionnement de chaque appareil. Toutefois, la plaque signalétique de l'équipement vous donnera des chiffres de consommation d'électricité plus exacts. Si la plaque ne vous donne que des volts et des ampères, multipliez les volts par les ampères = watts. 1KW = 1 000 watts.
4. Les appareils ou les outils à moteur exigent plus que leur puissance indiquée pour le démarrage.

**REMARQUE : Prévoir 2 1/2 - 4 fois la puissance indiquée pour la mise en marche de l'appareil.**

- La puissance nominale du générateur devrait être égale ou supérieure au nombre total de watts nécessaires au fonctionnement de l'équipement à alimenter.
- Branchez toujours d'abord la charge la plus lourde au générateur, puis ajoutez les autres une à une.

## VÉRIFIER LA TENSION



# ATTENTION

**ATTENTION : Vérifier la tension et la fréquence requises avant de brancher tout équipement électronique sur le générateur. Le générateur peut se trouver endommagé si les appareils branchés ne sont pas prévus pour fonctionner à une tension égale à  $\pm 10\%$  et une fréquence égale à  $\pm 3$  hz de celles indiquées sur la plaque signalétique du générateur. Pour éviter tout dommage, toujours brancher une charge additionnelle sur le générateur lorsqu'un appareil à circuits intégrés (tel qu'un téléviseur) est utilisé. Une varistance peut être aussi nécessaire pour certaines applications, dans le cas d'un ordinateur, par exemple. Une varistance peut être aussi nécessaire pour certaines applications de l'équipement en solide.**

Il est préférable d'utiliser un filtre de secteur lors de la mise en fonction d'un ou de plusieurs des composants à semiconducteurs suivants:

- Ouvres-portes de garage
- Appareils de cuisine à affichage digital
- Téléviseurs
- Stéréos
- Ordinateurs personnel
- Pendules à quartz
- Machines à photocopier
- Équipement téléphonique

D'autres composants à semiconducteurs peuvent nécessiter l'usage d'un filtre de secteur. Pour de plus amples renseignements à cet égard, prière de contacter le service à la clientèle en composant le numéro de téléphone 1 800 445 1805.

## INSTALLATION



# AVERTISSEMENT



**Pour éviter toute blessure et tout dommage aux appareils, faire effectuer l'installation électrique et toutes réparations par un électricien licencié ou un spécialiste du service après-vente agréé. En aucune circonstance, une personne non qualifiée ne doit-elle essayer de réaliser le câblage sur l'installation électrique existante.**

Pour éviter les retours de courant dans l'installation électrique de la maison, il est nécessaire d'assurer son isolation.

Avant de procéder au raccordement temporaire du générateur au système électrique de la résidence, débrancher le sectionneur du réseau d'alimentation principal.

Si du générateur est utilisée comme source auxiliaire en cas de panne de courant, il doit être installé par un électricien qualifié et en conformité avec tous les codes locaux applicables.

Pour que l'installation soit correcte, un commutateur de transfert à deux directions doit être installé par un électricien qualifié et licencié de façon à ce que les circuits électriques du bâtiment puissent être commutés du secteur au générateur sans danger, empêchant ainsi les retours de courant dans le secteur.



# AVERTISSEMENT



**Pour éviter les retours de courant dans le secteur, il est nécessaire d'assurer l'isolation électrique de la maison. Avant d'effectuer la connexion temporaire du générateur sur l'installation électrique de la maison, couper le courant à l'interrupteur principal. Avant de réaliser des connexions permanentes, installer un commutateur de transfert à deux directions. Pour éviter toute électrocution ou des dommages matériels, faire connecter le générateur à l'installation électrique de la maison par un électricien qualifié. Les lois californiennes exigent l'isolation de l'installation électrique de la maison avant d'y connecter un groupe électrogène. Il n'est pas recommandé de procéder au raccordement temporaire de l'appareil en raison de la réalimentation.**

**Toujours observer les codes et règlements locaux qui s'appliquent à l'installation de tout appareil compatible avec ce produit.**

- NFPA 70 - Code national de l'électricité.
- NFPA 37 - Norme d'installation et d'utilisation des moteurs fixes à combustible.
- Manuel de câblage du réseau d'alimentation de secours des appareils agricoles.

## CARACTÉRISTIQUES DU GROUPE ELECTROGENE

### A. Tableau de commande

**NOTE :** Le total charge dessiné de toutes prises ne doit pas dépasser les limites indiquées de plaque.

### B. Prise de 120 V, 20 A

20 ampères de courant peuvent être dessinés de la prise. La charge totale doit cependant rester dans les limites indiquées sur la plaque signalétique.



### C. Prise à verrouillage de 120/240 V, 30 A

Le courant de chargement plein maximum pourrait être dessiné de la 120/240 prise de volt, a fourni c'est la seule prise utilisée. La charge totale doit rester dans les limites indiquées sur la plaque signalétique. Si la prise de 120/240 V est utilisée en conjonction avec les prises de 120 V, la charge totale ne doit pas dépasser les limites indiquées sur la plaque.



### D. Couvertures pour les prises

### E. Protecteurs de circuit

Les prises sont protégées par un protecteur de circuit alternatif. En cas de surcharge ou de court-circuit extérieur, le protecteur de circuit saute. Si cela se produit, débrancher tout appareil relié au groupe électrogène et essayer de déterminer la cause du problème avant d'essayer de le réutiliser. Si le protecteur de circuit saute en raison d'une surcharge, réduire la charge. **REMARQUE :** Le groupe électrogène ou les appareils branchés dessus peuvent se trouver abîmés si le protecteur de circuit saute continuellement. Appuyer sur le bouton du protecteur de circuit pour le réenclencher.

### F. Chute-hors la Carte d'Instruction Rapide

### G. Borne de Mise à Terre

### H. Horomètre

- La presse et le bouton de mode de relâchement pour basculer entre **Minuteur Totaux** et **Minuteur 1 (TMR1)**.
- Le **Minuteur Totaux** affiche et enregistre les heures totales que votre générateur a courue. Le **Minuteur Totaux** n'est pas capable de remettre à l'état initial.
- Le **Minuteur 1** peut être utilisé pour traquer des heures opérantes pour les intervalles de service. Le **Minuteur 1** peut remettre à l'état initial en enfonçant le bouton de mode pour de 3 seconde pendant que **TMR1** est affiché.

### I. Commutateur On/Off (Sur/De) du moteur

### J. Moteur 389 CC OHV

### K. Reculer le Démarreur

### L. Levier d'arrêt du moteur

### M. Remplissage à huile

### N. Bouchon de vidange à huile

### O. Réservoir de carburant en métal d'une contenance de 26,5 litres (7 gallons)

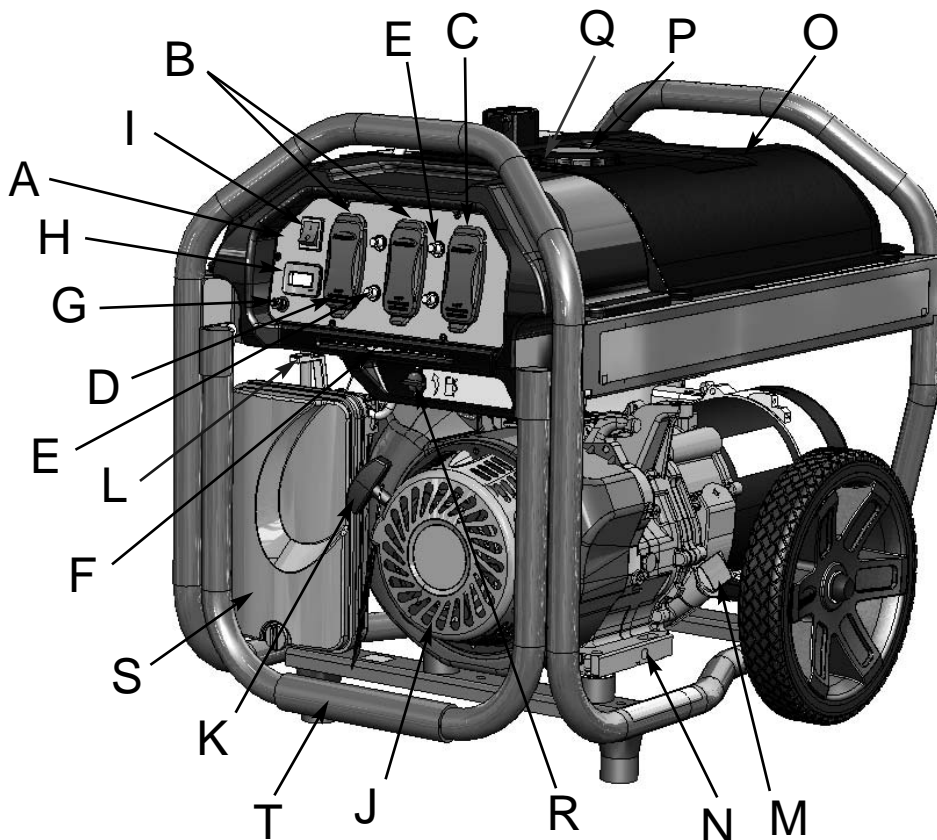
### P. Capuchon de Réservoir

### Q. Jauge de carburant

### R. Arrêt du carburant

### S. Filtre à air

### T. Poignée plier





## AVANT DE METTRE EN MARCHÉ

### PROTECTION AVEC DISJONCTEUR DIFFÉRENTIEL (GFCI)

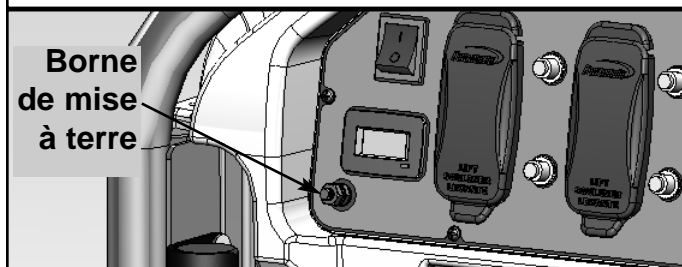
Une protection GFCI pour le personnel avant la mise en marche de la génératrice peut être demandée sur certains chantiers et par certains règlements locaux. Si votre génératrice n'est pas équipée d'une prise GFCI, des ensembles de cordons d'alimentation GFCI peuvent être achetés dans votre magasin d'accessoires électriques ou magasin de bricolage.

Ces ensembles de cordons sont disponibles avec différentes configurations de prises et d'ampérage (**assurez-vous que votre génératrice est correctement mise à la terre**).

### MISE EN PLACE DE L'APPAREIL

Selon les recommandations stipulées dans le Code national de l'électricité, cet appareil doit faire l'objet d'un raccordement adéquat à une prise de terre afin de prévenir tout risque d'électrocution. Une borne de mise à la terre connectée au bâti du générateur est prévue à cet effet. Le branchement d'un fil de cuivre de fort calibre (AWG 12 minimum) et de bonne longueur entre la borne de mise à la terre du générateur et un fil machine en cuivre enfoncé dans cette dernière devrait fournir une bonne mise à la terre. Consulter néanmoins un électricien agréé afin de vous assurer que le tout est conforme aux codes locaux.

#### L'EMPLACEMENT DE BORNE DE MISE À TERRE:



## AVERTISSEMENT



**Ne pas utiliser une conduite transportant un matériau combustible comme source de mise à la terre.**

### LUBRIFICATION

NE PAS essayer de faire démarrer le moteur avant d'avoir rempli le carter d'huile, en utilisant la quantité et le type d'huile appropriés. Le groupe électrogène est expédié de l'usine avec le carter vide. Un moteur qui tourne sans huile dans le carter peut se trouver détruit.

Remplir le moteur d'huile selon les directives énoncées dans le manuel de l'opérateur. Dans le cas des appareils dotés d'une jauge d'huile, remplir au niveau adéquat. Les appareils qui en sont dépourvus doivent faire l'objet d'un remplissage jusqu'à l'ouverture supérieure du goulot.

### LE DÉTECTEUR DE BAS NIVEAU D'HUILE

Le système est équipé d'un détecteur de bas niveau d'huile. Quand l'huile descend au-dessous du niveau limite, le détecteur

activera un appareil qui avertit ou arrête le moteur.

Si le groupe électrogène s'arrête mais qu'il y a suffisamment d'huile, vérifier s'il se trouve sur un plan incliné, entraînant l'accumulation d'huile à une extrémité de l'appareil. Si c'est le cas, remettre l'appareil de niveau. Si elle ne démarre encore pas, il est possible que le niveau d'huile ne soit pas assez élevé pour couper le dispositif d'arrêt. Vérifier le voyant indicateur de niveau d'huile tout en tirant sur le lanceur. Si le voyant clignote, ajouter de l'huile. Veiller à ce que le carter soit complètement rempli d'huile.

### CARBURANT

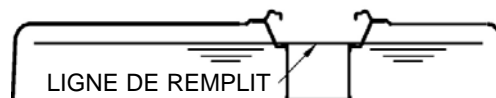
Remplir le réservoir d'essence automobile sans plomb fraîche et libre de toute impureté. De l'essence ordinaire peut être utilisée, à condition qu'elle ait un indice d'octane élevé (85 octane minimum). Il est recommandé d'utiliser en tout temps le stabilisateur de carburant, ce qui permettra de réduire la formation de dépôts de gomme dans le carburant lors de son entreposage. On peut ajouter le stabilisateur à l'essence en le versant soit dans le réservoir de carburant, soit dans un récipient d'entreposage.



## ATTENTION



- **LENTEMENT AJOUTER SANS PLOMB ESSENCE AU RESERVOIR DE CARBURANT**
- **NE REMPLISSEZ PAS TROP LE RESERVOIR**
- **LE PAS REMPLIT AU-DESSUS DU SOMMET D'ECRAN DE CARBURANT. CECI PERMET L'EXPANSION DU CARBURANT PENDANT LES PÉRIODES DE CHALEUR ET EMPÊCHE L'ESSENCE DE DÉBORDER.**

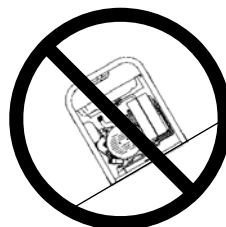


### POSITIONNEMENT

- Placer la génératrice sur une surface plane et solide afin d'éviter qu'elle coule.
- Garder l'essence, l'huile ou autres explosifs à une distance sécuritaire de la génératrice.
- Choisir un endroit bien ventilé et protégé des intempéries.
- Placer la génératrice loin des animaux et des humains.



**ATTENTION: PENCHER PEUT CAUSER DU RENVÈRSEMENT DE CARBURANT**



## DEMARRAGE DE L'APPAREIL

### AVERTISSEMENT



L'essence est un produit très dangereux. Un incendie résultant du contact de l'essence avec des surfaces chaudes peut causer de graves blessures ou entraîner la mort.

1. Ne pas mettre de l'essence dans le réservoir quand le moteur est en marche.
2. Ne pas renverser d'essence lors du remplissage du réservoir.
3. Ne pas mélanger de l'huile à l'essence.
4. Nous vous invitons aussi à respecter les consignes et les avertissements énoncés dans le manuel de l'opérateur.

#### PRÉPARATIFS AU DÉMARRAGE

Avant de mettre l'appareil en marche, vérifier qu'il ne manque aucune pièce, que toutes les pièces sont bien serrées et que l'appareil n'a pas été abîmée pendant le transport.

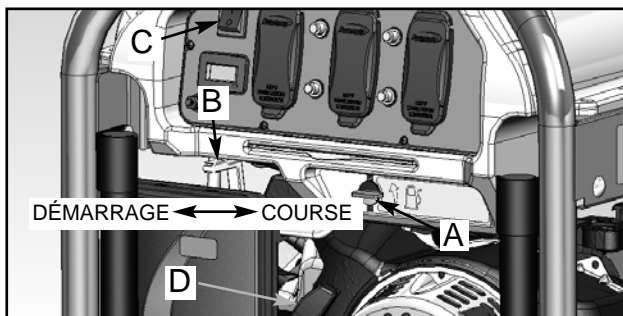
### AVERTISSEMENT



Ne pas faire fonctionner ce groupe électrogène sans les écrans de chaleur montés en usine en place. Le non-respect de cette consigne peut entraîner la surchauffe du réservoir de carburant et des blessures à la suite de l'incendie ainsi provoqué.

#### DÉMARRAGE DU MOTEUR

1. Vérifiez le niveau d'huile et de carburant.
2. Débranchez toutes les charges électriques de l'appareil.
3. Ouvrez la vanne de fermeture de carburant (A).
4. Réglez le doseur (B) au besoin.
5. Réglez l'interrupteur du moteur (C) en position "ON".
6. Tirez sur la corde de lancement (D) d'un coup rapide et sûr. Lorsque le moteur se réchauffe, réglez à nouveau le doseur.



### ATTENTION



**ATTENTION :** Laisser le groupe électrogène fonctionner cinq minutes sans aucun appareil branché dessus au moment du démarrage initial pour permettre au moteur et au groupe électrogène de se stabiliser.



## DANGER



- Fournir une aération suffisante pour éliminer les gaz d'échappement toxiques et assurer le refroidissement du moteur.
- Ne pas faire démarrer ou fonctionner l'appareil dans un lieu fermé, même si les portes et les fenêtres sont grandes ouvertes.
- Les moteurs libèrent du monoxyde de carbone, un gaz invisible, inodore et toxique.
- L'inhalation de monoxyde de carbone peut provoquer des nausées, des évanouissements ou même la mort.

#### BRANCHEMENT DES APPAREILS

Cet appareil a été vérifié et réglé pour fonctionner à pleine capacité. Débrancher tout appareil qui y est relié avant de le mettre en marche. Attendre qu'il tourne avant de commencer à brancher des appareils dessus. La tension est réglée par la vitesse du moteur, qui a été ajustée à l'usine pour assurer la puissance voulue. Le rajustement annulera la garantie.



## ATTENTION



Ne pas dépasser la puissance nominale du générateur lorsqu'une ou plusieurs prises sont utilisées. De plus, ne pas dépasser l'ampérage nominal d'une prise, quelle qu'elle soit.



## ATTENTION



Ne pas brancher un appareil puissant sur le générateur pendant la période de rodage (les deux à trois premières heures de fonctionnement).

#### ARRET DE L'APPAREIL

1. Retirez toute la charge électrique.
2. Laissez le moteur tourner pendant deux minutes sans charge.
3. Placez l'interrupteur du moteur en position "OFF".
4. Ne quittez pas le générateur jusqu'à ce qu'il soit complètement arrêté.
5. Fermez la vanne de fermeture du carburant (s'il y en a une) si le moteur doit être rangé ou transporté.
6. Si l'on utilise, un couvercle, ne l'installez pas jusqu'à ce que l'appareil soit refroidi.
7. Si la génératrice ne doit pas être utilisée pendant une durée prolongée, reportez-vous à la section ENTRETIEN ET ENTREPOSAGE de ce manuel.

## ENTRETIEN PÉRIODIQUE

ARTICLE	REMARQUES	Quotidiennement (Avant de mettre en marche)	Initiale 20 heures	Chaque 50 heures	Chaque 100 heures
Bougie d'allumage	Vérifier l'état. Ajuster l'écartement des électrodes et nettoyer. Remplacer selon le besoin.			✓	
Huile à moteur	Vérifier le niveau d'huile.	✓			
	Remplacer.		✓		✓
Filtre à air	Nettoyer et remplacer selon le besoin.			✓	
Filtre à carburant	Nettoyer le robinet à essence et la crépine du réservoir de carburant. Remplacer selon le besoin.				✓
Canalisation de carburant	Vérifier la canalisation de carburant pour déceler toute fissure ou tout autre dommage. Remplacer selon le besoin.	✓			
Système d'échappement	Vérifier pour déceler toute fuite. Resserrer ou remplacer le joint d'étanchéité, le cas échéant.	✓			
	Vérifier le grillage du silencieux. Nettoyer et remplacer selon le besoin.			✓	
Carburateur	Vérifier le fonctionnement du volet de départ.	✓			
Circuit d'allumage	Vérifier le fonctionnement du lanceur à rappel.	✓			
Raccord et attaches	Vérifier. Remplacer selon le besoin				✓

## ENTRETIEN

### LA BOUGIE D'ALLUMAGE

Enlevez la bougie et nettoyez la section des électrodes avec une brosse en acier ou du papier de verre. Ensuite, réglez l'intervalle d'allumage à 0,6 - 0,8 mm (.024/.031 po) en ajustant l'électrode négative. Remettez la bougie d'allumage en place en la serrant au couple approprié : 14 pi-lb (20 N.m)

## ⚠ ATTENTION

**La bougie de rechange doit être exactement de même type que celle qui a été enlevée. Une bougie mal choisie peut faire surchauffer le moteur, le faire émettre de la fumée ou mal fonctionner.**

### LE TYPE D'HUILE

Utilisez une huile neuve et de bonne qualité, catégorie SJ ou plus tard. L'huile à utiliser dépend de la température à laquelle le moteur sera actionné.

Au dessous 32° F (0° C) . . . . .SAE 10W, 10W-30, ou 10W-40  
 32 à 80° F (0 à 25° C) . . . . .SAE 20W, 10W-30, ou 10W-40  
 80 à 95° F (25 à 35° C) . . . . .SAE 30W, 10W-30, ou 10W-40  
 Ci-dessous 95° F (35° C) . . . . .SAE 40W

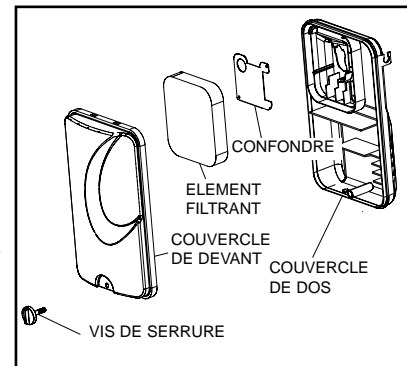
### REPLACEMENT D'HUILE

1. Remplacer l'huile lorsque le moteur est réchauffé.
2. Placer la génératrice sur une surface de niveau.

3. Enlever le bouchon de remplissage d'huile.
4. Ouvrir le bouchon de vidange d'huile et laisser l'huile se vidanger complètement dans un récipient placé en-dessous du moteur.
5. Vérifier les joints d'étanchéité. Remplacer selon le besoin.
6. Réinstaller le bouchon de vidange d'huile et remplir le moteur d'huile propre.
7. Remettre le bouchon de remplissage d'huile en place.

### NETTOYAGE DU FILTRE À AIR

1. Dévisser le couvercle du filtre à air.
2. Retirer l'élément filtrant et le laver à fond dans du solvant.
3. Verser une petite quantité d'huile dans l'élément filtrant et fluer doucement tout excédent d'huile.
4. Remettre l'élément filtrant et le couvercle du filtre à air en place.
5. S'assurer de la parfaite étanchéité du pourtour du couvercle du filtre.



### NETTOYAGE DE LA CRÉPINE DU RÉSERVOIR À CARBURANT

1. Retirer la crépine de carburant en plastique; celle-ci est située en-dessous du bouchon du réservoir de carburant.
2. Laver la crépine dans du solvant, puis la remettre en place.

## JEU DES SOUPAPES

Admission — 0,1 - 0,15 mm, (0,004 - 0,006 pouces)

Échappement — 0,15 - 0,02 mm, (0,006 - 0,008 pouces)

**Vérifier le jeu des soupapes dans le moteur après les 50 premières heures de fonctionnement et l'ajuster si cela est nécessaire.**

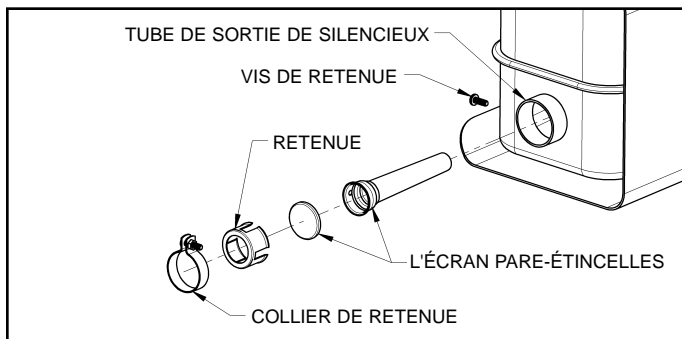
**IMPORTANT :** En cas de doute quant à la réalisation de cette procédure, ou d'absence des outils adaptés, merci de faire régler le jeu des soupapes du générateur dans le centre de réparation le plus proche. Il s'agit d'une étape très importante pour garantir la meilleure durée de vie du moteur.

## L'ÉCRAN PARE-ÉTINCELLES

Retirez l'écran à toutes les 50 heures aux fins de nettoyage et d'inspection. **Remplacez en cas de dommage.**

### Nettoyer et inspecter les pare-étincelles comme suit :

1. Enlever la retenue d'écran en enlevant le collier de retenue.
2. Enlever la vis de retenue de la tube de sortie de silencieux.
3. Glisser l'écran pare-étincelles hors du tube de sortie de silencieux.
4. Prenez garde de ne pas endommager l'écran pare-étincelles. Le pare-étincelles doit être exempt de bris et de trous. Si l'écran n'est pas endommagé, le nettoyer avec un dissolvant de commercial.
5. Remplacer l'écran et la retenue et obtient avec la vis de retenue et le collier.



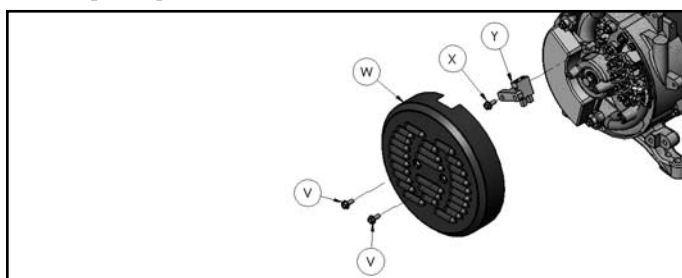
## GROUPE ELECTROGENE: Les Balais

Les balais du groupe électrogène doivent être inspectés une fois par an pour vérifier s'ils ne sont pas fendillés ou autrement abîmés. Il faut par ailleurs les remplacer quand ils ne font plus que 7 mm.

**REMARQUE :** Toujours remplacer le jeu de balais et non pas un seul balai à la fois. Remplacer les balais uniquement avec les balais de rechange spécifiés dans la liste des pièces détachées. D'autres balais peuvent paraître identiques mais avoir des caractéristiques mécaniques et électriques complètement différentes.

### INSPECTION DES BALAIS:

1. Enlever les 2 vis (V) et le couvercle de fin (W).
2. Enlever les vis (X) retenant la module de brosse (Y).
3. Déconnecter les fils bleu (+) et jaune (-) des balais de la pattes.
4. Remplacer les balais s'ils ne font plus que 7 mm.
5. Ne pas trop resserrer les vis.



## ÉCRANS DE CHALEUR :

Vérifier que tous les écrans de chaleur et les déflecteurs thermiques sont intacts et en place. Ne pas procéder à l'enlèvement ou à la modification des pièces, puisque cela risquerait d'occasionner de graves dommages à l'appareil.

## GIVRAGE DU CARBURATEUR

Pendant les mois d'hiver, des conditions atmosphériques rares peuvent provoquer la formation de glace dans le carburateur. Quand cela arrive, le moteur fonctionne mal, perd de sa puissance et peut même tomber en panne. Ce problème temporaire peut être corrigé en faisant souffler l'air chaud du moteur sur le carburateur. Pour de plus amples renseignements, contacter le service clientèle.

## TRUCS DE DÉMARRAGE RAPIDE DES APPAREILS RESTÉS LONGTEMPS HORS FONCTION:

Si votre appareil est resté longtemps hors fonction et que son démarrage s'avère difficile, suivre les quelques étapes suivantes avant de recourir à l'assistance téléphonique à la clientèle.

1. Vérifier le niveau d'huile.
2. Faire une vidange d'huile complète.
3. Remplacer les bougies d'allumage.
4. Vérifier les canalisations d'huile et veiller à ce que le robinet à essence soit ouvert.
5. Vérifier les pièces du groupe électrogène afin de vous assurer de leur intégrité.
6. Nettoyer le carburateur.

## USAGE ET ENTREPOSAGE

### USAGE PEU FRÉQUENT

Si la génératrice est rarement utilisée, il est possible qu'elle soit difficile à mettre en marche. Pour éviter les démarrages difficiles, suivez ces instructions :

1. Faites fonctionner la génératrice pendant au moins 30 minutes tous les mois.
2. Faites fonctionner la génératrice, puis fermez le robinet d'arrêt de carburant et laissez l'appareil fonctionner jusqu'à l'arrêt du moteur.
3. Placez l'interrupteur du moteur en position "OFF".

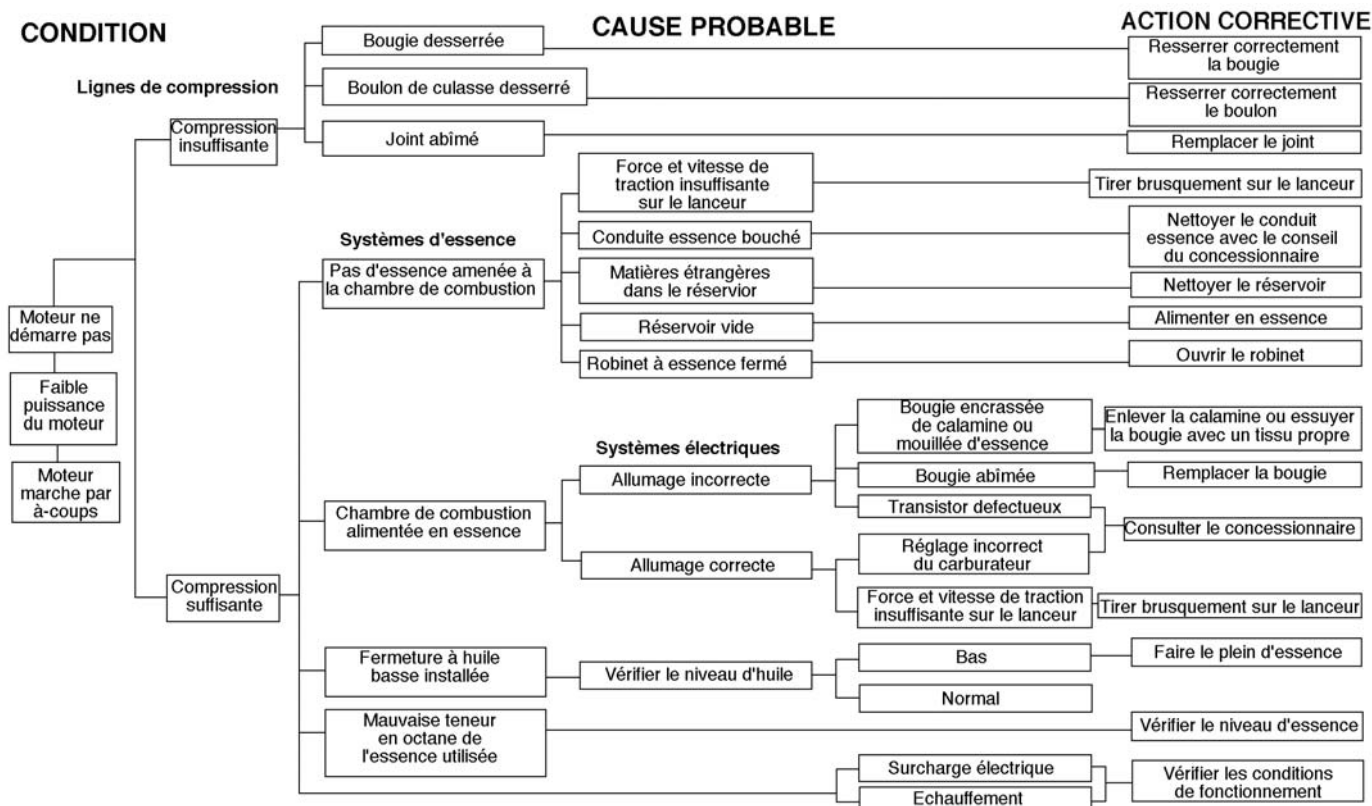
### ENTREPOSAGE A LONG TERME

Si le groupe électrogène n'est pas utilisé ou qu'il est remis pendant plus d'un mois, procéder comme suit:

1. Remettre de l'huile jusqu'au repère supérieur.
2. Faites fonctionner la génératrice, puis fermez le robinet d'arrêt de carburant et laissez l'appareil fonctionner jusqu'à l'arrêt du moteur.
3. Placez l'interrupteur du moteur en position "OFF".
4. Quand l'appareil est refroidi, purgez l'essence du réservoir de carburant, de la conduite de carburant et du carburateur.
5. Mettre environ une cuillerée à café d'huile pour moteur dans l'orifice des bougies, tirer sur le lanceur à plusieurs reprises et remettre la bougie en place. Ensuite, tirer sur le lanceur jusqu'à ce que le piston soit en position de compression et le laisser dans cette position. Ceci ferme les soupapes d'admission et d'échappement afin d'empêcher l'intérieur du cylindre de rouiller.
6. Couvrir l'appareil et l'entreposer dans un endroit propre, sec et bien aéré, loin de toute source de flamme ou d'étincelles.

**REMARQUE:** Il est recommandé d'utiliser en tout temps le stabilisateur de carburant, ce qui permettra de réduire la formation de dépôts de gomme dans le carburant lors de son entreposage. On peut ajouter le stabilisateur à l'essence en le versant soit dans le réservoir de carburant, soit dans un récipient d'entreposage.

# DEPANNAGE DU MOTEUR



## CARACTERISTIQUES DU MOTEUR

**Type** ..... A quatre temps, à un cylindre, à essence, OHV  
**Cylindrée** ..... .389 cc  
**TR/MIN nominaux** ..... .3600  
**Système de démarrage** ..... A détente  
**Capacité d'huile** ..... .1.1 litre  
**Bougie** ..... .NGK BP7ES ou l'équivalent  
**Régulation** ..... .Mécanique (ajustable)  
**Système de refroidissement** ..... .Refroidissement à air forcé  
**Type filtre** ..... .Elément en mousse

## SERVICE CLIENTELE

**Pour obtenir des renseignements sur les modalités de réparation sous garantie ou pour commander des pièces ou des accessoires de rechange, CONTACTER AVEC LE SERVICE DE RÉPARATION DES PRODUITS PRAMAC AMERICA en composant le numéro de téléphone 1-800-445-1805 ou en visitant notre site Web à l'adresse [www.powermate.com](http://www.powermate.com).**

### COMMANDE DE PIÈCES DE RECHANGE

Même dans le cas d'appareils de haute qualité comme le groupe électrogène en votre possession, des pièces de rechange peuvent devenir nécessaires pour garder l'appareil en bon état au fur et à mesure que passent les années. Pour commander des pièces de rechange, veuillez fournir les renseignements suivants :

1. Les numéros de modèle et de série ainsi que toutes les spécifications portées sur la plaque où sont indiqués les numéros de modèle et de série.
2. Les codes de pièces apparaissent dans la section Nomenclature des pièces de rechange.
3. Une brève description du problème rencontré.

**Pramac America, LLC**  
4970 Airport Road  
P. O. Box 6001  
Kearney, NE 68847  
1-800-445-1805  
[www.powermate.com](http://www.powermate.com)

## ENREGISTRER VOTRE PRODUIT

Enregistrer votre génératrice de Powermate® en ligne à [www.powermate.com](http://www.powermate.com).



## GARANTIE LIMITÉE

**Couverture Limitée :** Pramac America, LLC (la compagnie) garantit au revendeur d'origine en Amérique du Nord qu'elle réparera ou remplacera, sans frais, toutes les pièces que la compagnie ou que son représentant du service autorisé auront déterminé comme étant défectueuses du point de vue du matériel ou de la fabrication. La garantie couvre les coûts de remplacement des pièces et de main-d'œuvre pour tout défaut matériel ou de fabrication.

### Ce qui n'est pas couvert :

- Les frais de transport pour envoyer le produit à la compagnie ou à son représentant du service autorisé pour effectuer le travail couvert par la garantie, les frais d'expédition au client des produits réparés ou remplacés. Ces frais doivent être assumés par le client.
- Si un manuel séparé de l'opérateur et la garantie de moteur du fabricant de moteur sont inclus avec ce produit, seulement cette garantie s'appliquera au moteur.
- Les dommages causés par un abus ou un accident, et les effets de la corrosion, de l'érosion ainsi que de l'usure normale.
- La garantie est annulée si le client n'arrive pas à installer, garder et faire fonctionner le produit conformément aux directives et aux recommandations de la compagnie formulées dans le guide d'utilisation, ou si le produit est utilisé comme équipement de location.
- La compagnie ne paiera pas de réparation ou des ajustements au produit, ou pour les coûts ou main-d'œuvre, exécuté sans l'autorisation préalable de la compagnie.

**Période couverte par la garantie :** Deux (2) ans à partir de la date d'achat sur les produits utilisés uniquement pour les applications de consommateur. Si le produit est utilisé à des fins d'affaires ou commerciales, la période couverte par la garantie se limite à Un (1) an à partir de la date d'achat. En ce qui concerne l'entretien couvert par la garantie, le client doit présenter une preuve de la date d'achat et il doit aviser la compagnie au cours de la période couverte par la garantie.

**Pour tout ce qui touche l'entretien couvert par la garantie :** **Composez sans frais le 1 800 445-1805, ou écrivez à Pramac America, LLC, Product Services, 4970 Airport Road, P. O. Box 6001, Kearney, NE 68847 É.-U.**

**EXCLUSIONS ET LIMITATIONS :** LA COMPAGNIE NE PRÉSENTE AUCUNE AUTRE GARANTIE, EXPRESSE OU IMPLICITE. LES GARANTIES IMPLICITES, INCLUANT LES GARANTIES DE QUALITÉ MARCHANDE ET DE CONFORMITÉ AUX BESOINS SONT, PAR LA PRÉSENTE, ABANDONNÉES. L'ENTRETIEN COUVERT PAR LA GARANTIE DÉCRIT CI-DESSUS EST UN RECOURS EXCLUSIF EN VERTU DE CETTE GARANTIE. LA RESPONSABILITÉ POUR DES DOMMAGES ACCESSOIRES ET INDIRECTS EST EXCLUE JUSQU'À LA LIMITE AUTORISÉE PAR LA LOI.

Cette garantie vous donne des droits spécifiques reconnus par la loi. Vous pouvez également bénéficier de certains autres droits, lesquels varient d'une province (État) à l'autre. Certaines provinces (ou certains États) n'autorisent pas de clauses de renonciation des garanties implicites ou de limites à l'égard de dommages accessoires ou indirects, ainsi, les clauses de renonciation et les exclusions ci-dessus peuvent ne pas s'appliquer à vous.

## SEGURIDAD



### PELIGRO

PELIGRO indica una situación potencialmente peligrosa que, si no se evita, **PROVOCARÁ** muerte o una lesión seria.



### ADVERTENCIA

ADVERTENCIA indica una situación de peligro potencial, la cual, si no se evita, podría ocasionar lesiones severas e incluso la muerte.



### PRECAUCIÓN

PRECAUCIÓN indica una situación potencialmente de riesgo, la cual, si no se evita, puede ocasionar heridas personales menores o moderadas o daños materiales.

## REGLAS DE SEGURIDAD Y DE FUNCIONAMIENTO



**ADVERTENCIA.** El no seguir estas instrucciones y advertencias puede ocasionar la muerte, heridas personales o daños materiales.

1. Lea cuidadosamente y entienda el manual del operador antes de utilizar este producto. Siga todas las advertencias e instrucciones.
2. Conozca su equipo. Considere las aplicaciones, limitaciones y los riesgos potenciales específicos de su unidad.
3. El equipo deberá colocarse sobre una base de sustentación firme.
4. La carga debe mantenerse dentro de los valores nominales que aparecen en la placa de identificación del generador. Una sobrecarga dañará la unidad o acortará su vida útil.
5. No se debe hacer funcionar el motor a velocidades demasiado altas. Si se opera el motor a excesiva velocidad aumenta el riesgo de lesiones físicas. **No toque o cambie piezas que puedan aumentar o disminuirla velocidad regulada.**
6. Para evitar un arranque inesperado, siempre retire la bujía o el cable de la bujía antes de dar mantenimiento al generador o al motor.
7. Nunca debe operarse una unidad con piezas quebradas o faltantes, o sin el revestimiento o cubiertas protectoras. Comuníquese con su centro de servicio para solicitar los repuestos.
8. Las unidades no deben operarse ni almacenarse en lugares húmedos o mojados ni altamente conductores tales como plataformas metálicas o estructuras de acero.
9. Mantenga el generador limpio y libre de aceite, barro y cualquier otro material extraño.
10. Los cordones de extensión, los cordones eléctricos y todos los equipos eléctricos deben estar en buenas condiciones. Nunca opere un equipo eléctrico con cordones dañados o defectuosos.



11. Guarde el generador en un lugar con buena ventilación, con el tanque de combustible vacío. No se debe almacenar combustible cerca del generador.
12. Su generador no deberá operarse jamás si ocurre lo siguiente:
  - a. Cambio fuera de control en la velocidad del motor.
  - b. Pérdida de carga eléctrica.
  - c. Sobrecalentamiento del equipo conectado.
  - d. Formación de chispas.
  - e. Receptáculos dañados.
  - f. Fallo de encendido.
  - g. Vibración excesiva.
  - h. Llamas o humo.
  - i. Compartimiento cerrado.
  - j. Lluvia, nieve o inclemencia del tiempo. No permita que la unidad se moje cuando está funcionando.**
13. Verifique periódicamente que no haya salideros o señales de deterioro en el sistema de combustible, como manguera demasiado gastada o blanda, abrazaderas flojas o faltantes, o tanque o tapón dañados. Todos estos defectos deberán corregirse antes de la operación.
14. El generador debe operarse, recibir servicio y rellenarse de combustible solamente en las siguientes condiciones:
  - a. Encienda y ponga a funcionar el generador al aire libre. No ponga a funcionar el generador en un área cerrada, aun cuando las puertas o ventanas se encuentren abiertas; evite áreas en donde los vapores puedan encerrarse, tales como pozos, garajes, sótanos, excavaciones y pantoques. PELIGRO - RIESGO DE MONÓXIDO DE CARBONO: El escape del motor contiene monóxido de carbono, un gas venenoso, inodoro, invisible que, si se inhala puede provocar la muerte o una lesión personal seria. Si comienza a sentirse indispuesto, mareado o débil mientras utiliza el generador, apáguelo e inmediatamente vaya a un lugar fresco; podría padecer de envenenamiento por monóxido de carbono.**

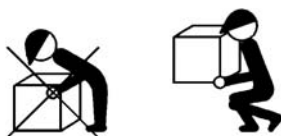
**b. Buena ventilación para el enfriamiento. La circulación de aire y las temperaturas son importantes para las unidades enfriadas por aire. Las temperaturas no deberían exceder 104° F (40° C) a temperatura ambiente.**

- c. Eche combustible al generador en un área bien iluminada. Evite derramamiento de combustible y nunca rellene con combustible mientras el generador está funcionando. Antes de echar combustible, espere que el motor se enfríe durante dos minutos.
- d. No eche combustible cerca de llamas, luces piloto o equipos eléctricos con chispas como herramientas mecánicas, soldadores y rectificadoras.
- e. Deberá instalar el silenciador y filtro de aire, los cuales deberán estar buenas condiciones en todo momento ya que detienen el fuego en caso de una explosión incompleta en el motor.
- f. No fume cerca del generador.

15. Cerciórese de el generador esté conectado a tierra correctamente (Consulte la sección Conexión a tierra del generador).



- 16. No use ropa demasiado holgada, alhajas o cualquier otra cosa que pueda quedar atrapada en el arrancador u otras partes móviles.
- 17. La unidad debe alcanzar la velocidad de operación antes de conectarse las cargas eléctricas. Desconecte las cargas antes de apagar el motor.
- 18. Para evitar sobrecargas que podrían dañar al equipo, no permita que el motor se quede sin combustible al aplicarse las cargas eléctricas.
- 19. Al dar carga a un equipo de estado sólido, debe utilizarse un protector de sobrecarga para evitar posibles daños al equipo.
- 20. No coloque nada a través de las ranuras de ventilación, aun cuando el generador no esté en operación. Esto puede dañar al generador o causar lesiones personales.
- 21. Antes de transportar el generador en un vehículo, extraiga todo el combustible para evitar la posibilidad de salideros o derrames.
- 22. Use técnicas correctas de alzaje al mover el generador de un lugar a otro. De lo contrario, podrían producirse lesiones personales.



- 23. Para evitar quemaduras, no toque el silenciador del motor u otras superficies del generador que se hayan calentado durante la operación.

## APAGACHISPAS

**PUEDE SER QUE SU PRODUCTO NO ESTE EQUIPADO CON UN SILENCIADOR APAGACHISPAS.** Si el producto se va a utilizar cerca de materiales inflamables como son cosechas agrícolas, bosques, arbustos, pastos, etc., debe entonces instalarse un apagachispas adecuado. Esto es obligatorio en el estado de California, de acuerdo con las secciones de estatutos 13005(b), 4442 y 4443. Los apagachispas son también obligatorios en algunas tierras del Servicio Forestal de los EE.UU. y quizá también según otros estatutos u ordenanzas legales. Existen apagachispas de uso aprobado en nuestro distribuidors. También puede encargarse a Pramac America, LLC, P.O. Box 6001, Kearney, Nebraska, 68847, EE.UU., teléfono 1-800-445-1805.

## COMO DETERMINAR EL VATAJE TOTAL

A fin de evitar la sobrecarga y los posibles daños a su generador, resulta necesario conocer el vataje total de la carga conectada. Para determinar qué herramientas y/o equipos electrodomésticos su generador hará funcionar, siga los pasos a continuación:

- 1. Determine si desea hacer funcionar un aparato o varios aparatos simultáneamente.
- 2. Verifique los requerimientos de potencia de arranque y de funcionamiento de los aparatos fijándose en la carga especificada en la etiqueta, o calculándola (multiplique amperios x voltios = watts o potencia).
- 3. Sume la potencia necesaria de arranque y de funcionamiento de cada aparato. Si la etiqueta sólo le da el voltaje y el amperaje, entonces multiplique Voltios x Amperios = Watts. **1KW = 1,000 watts.**
- 4. Los electrodomésticos o herramientas impulsadas por motores requieren más potencia que lo especificado para arrancar.  
**NOTA: Permita 2 1/2 - 4 veces el vataje mencionado para arrancar al equipo.**
- 5. Los vatios unitarios del generador deberían coincidir o superar el número total de vatios que requiere el equipo que usted desea arrancar.
- 6. Siempre conecte la carga más grande primero, y luego agregue los demás equipos uno por uno..



## EL REQUERIMIENTO DE VOLTAJE



## PRECAUCIÓN

**PRECAUCION:** El requerimiento de voltaje y frecuencia operativa de todos los equipos electrónicos debe comprobarse antes de enchufarlos a este generador. Pueden ocurrir daños si el equipo no está diseñado para operar dentro de una variación de voltaje de +/-10% y una variación de frecuencia de +/-3 hz de los valores nominales que aparecen en la placa de identificación del generador. A fin de evitar daños, siempre tenga una carga adicional enchufada al generador en caso de usarse equipos de estado sólido (tales como un aparato de televisión). También podría resultar necesario un acondicionador de la línea eléctrica para algunas aplicaciones; por ejemplo, con una computadora. También podría resultar necesario un acondicionador de la línea eléctrica para algunas aplicaciones de equipo de estado sólido.

Se deberá utilizar un acondicionador de línea de conducción cuando se operen uno o más de los siguientes equipos de estado sólido:

Control para abrir la cochera o garaje  
Equipos de cocina con visualización digital  
Televisores  
Estéreos  
Computadoras personales  
Relojes de cuarzo  
Máquinas fotocopadoras  
Equipo telefónico

Otro equipo en estado sólido puede requerir un acondicionador de línea de conducción. Para obtener más información, comuníquese con nuestro Departamento de Servicio al Cliente al teléfono 1-800-445-1805

## INSTALACION



## ADVERTENCIA



Para evitar posibles lesiones físicas o daños materiales, es necesario que la instalación y todo el servicio sea realizado por un electricista profesional o representante de servicio autorizado. Bajo ninguna circunstancia debe permitirse que una persona que no está capacitada trate de manipular cables dentro del circuito de utilidad.

Para evitar la retro-alimentación a los sistemas de suministro, se requiere el aislamiento del sistema eléctrico residencial.

Antes de realizar la conexión temporal del generador hacia el sistema eléctrico residencial, apague o desconecte el servicio principal.

Si el generador va a usarse como fuente de energía de reserva en caso de un fallo del suministro eléctrico, debe ser instalado por un electricista certificado, de acuerdo con todos los códigos eléctricos locales aplicables.

El uso apropiado requiere la instalación de un interruptor de transferencia de dos vías por un electricista capacitado y certificado para asegurar de que los circuitos eléctricos del edificio puedan ser conmutados con seguridad entre el suministro eléctrico y la salida del generador, evitando de este modo la retro-alimentación hacia el sistema de suministro eléctrico.



## ADVERTENCIA



Para evitar la retro-alimentación hacia los sistemas de suministro eléctrico, se requiere el aislamiento del sistema eléctrico residencial. Antes de realizar la conexión temporal del generador al sistema eléctrico residencial, apague el interruptor principal. Antes de hacer las conexiones permanentes, debe instalarse un interruptor de transferencia de dos vías. Para evitar la electrocución o daños a la propiedad, sólo debe ser un electricista entrenado el que conecte el generador al sistema eléctrico residencial. Las leyes de California requieren el aislamiento del sistema eléctrico residencial antes de conectar un generador a los sistemas eléctricos residenciales.

Siempre siga los códigos y regulaciones locales que se aplican a la instalación de cualquier elemento que tenga relación con este producto.

1. NFPA 70 - Código Nacional de Electricidad.
2. NFPA 37 - Estándar para la instalación y uso de motores estacionarios de combustible.
3. Manual de cableado agrícola de la energía eléctrica en posición auxiliar para granjas.

## CARACTERÍSTICAS DEL GENERADOR

### A. Panel de control

**NOTA:** El carga total dibujado de **todos receptáculos** no debe exceder los valores nominales de la placa de identificación.

### B. Receptáculo de 120 voltios, 20 amperes

20 amperes de la corriente se pueden dibujar del receptáculo. Sin embargo, la potencia total extraída debe mantenerse dentro de los valores nominales de la placa de identificación.



### C. Receptáculo de cierre giratorio de 120/240 voltios, 30 amperes

La corriente repleta máxima de la carga puede ser dibujada del 120/240 receptáculo del voltio, proporcionó lo es el único receptáculo utilizado. La corriente total debe limitarse al valor nominal de la placa de identificación. Si se utiliza un receptáculo de 120/240 voltios junto con los receptáculos de 120 voltios, la carga total extraída no debe exceder los valores nominales de la placa de identificación.



### D. Couvercles para receptáculos

### E. Protector de circuito

Los receptáculos se protegen mediante un protector de circuito de CA. Si se sobrecarga el generador u ocurre un protector de circuito externo, el protector de circuito saltará. Si esto ocurre, desconecte todas las cargas eléctricas y trate de determinar la causa del problema antes de usar el generador nuevamente. Si la sobrecarga causa que salte el protector de circuito, reduzca la carga. **NOTA: Si salta continuamente el protector de circuito, se podría dañar el generador o el equipo.** El protector de circuito puede restaurarse pulsando el botón del protector.

### F. El resbaladero-fuera Tarjeta Rápida de Instrucción

### G. Terminal del Tierra

### H. Contador Horario

- La prensa y el botón del modo de la liberación para bascular entre **Reloj Totales** y **Reloj 1 (TMR1)**.
- El **Reloj Totales** demuestra y registra las horas totales que su generador ha corrido. El **Reloj Totales** no puede reponer.
- El **Reloj 1** puede ser utilizado para rastrear horas operadoras para intervalos de servicio. El **Reloj 1** puede reponer teniendo el botón del modo abajo por 3 segundos mientras **TMR1** es demostrado.

### I El motor On/Off (En/De) Interruptor

### J. Motor 389 CC OHV

### K. Arranque retráctil

### L. Palanca de estrangulación del motor

### M. Llenado de Aceite

### N. Tapón de Drenado de Aceite

### O. Tanque de metal de combustible con capacidad de 26.5 litros (7 galones)

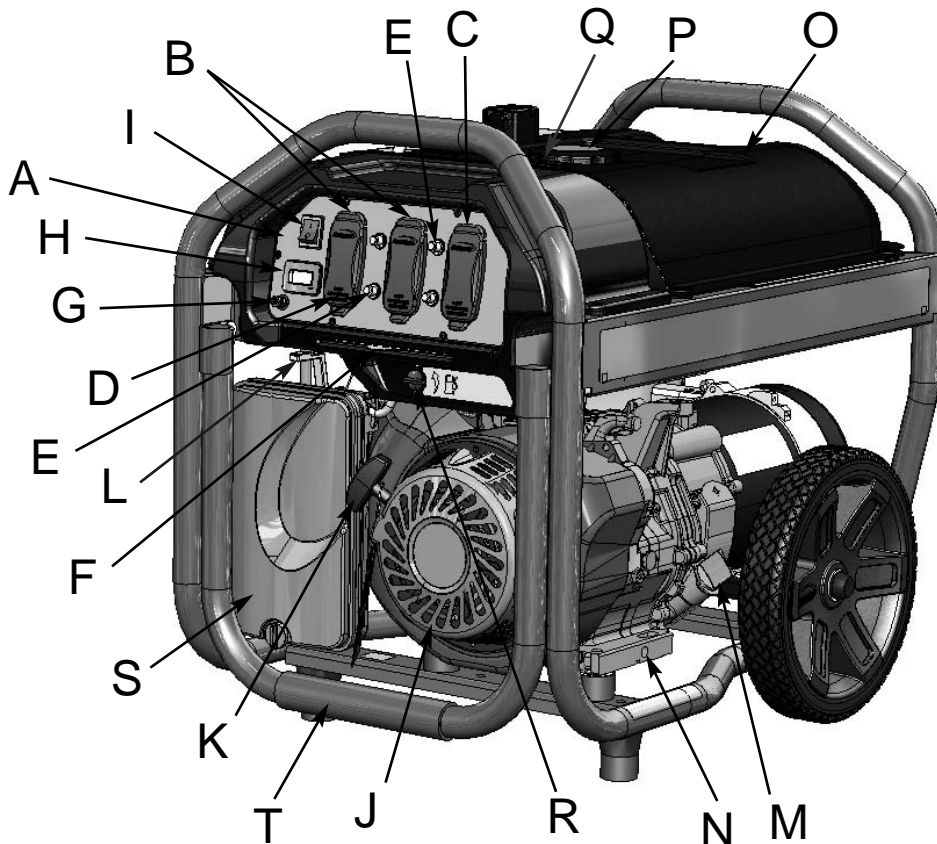
### P. Tapa de combustible

### Q. Indicador de combustible

### R. Corte de combustible

### S. Filtro de aire

### T. Manija que dobla



## ANTES DE LA OPERACION

### PROTECCIÓN DE INTERRUPTOR DE CIRCUITO DE FALLA DE CONEXIÓN A TIERRA (GFCI, por sus siglas en inglés)

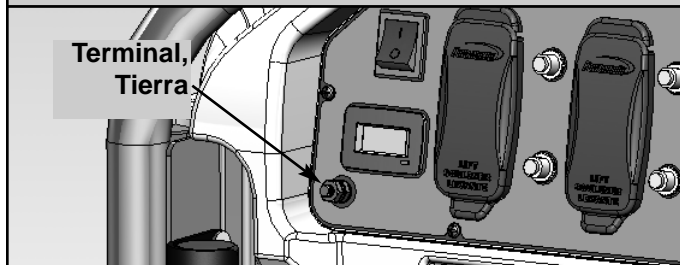
Algunos sitios de trabajo y códigos locales pueden requerir la protección GFCI para el personal antes de manejar su generador. Si su generador no está equipado con un receptáculo de GFCI, puede adquirir los juegos de cables en línea GFCI en un almacén local de suministros eléctricos o almacén de artículos de construcción.

Estos juegos de cables están disponibles en varias configuraciones de amperaje y conexión. **(Asegúrese que su generador esté debidamente conectado a tierra.)**

### PUESTA A TIERRA DEL GENERADOR

El Código Nacional de Electricidad requiere que este producto se conecte adecuadamente a una puesta a tierra apropiada para prevenir un choque eléctrico. Para este propósito, se proporciona una terminal del tierra conectado al marco del generador. Conecte una parte de cable de cobre de grueso calibre (12AWG mínimo) entre la terminal en tierra y una varilla de cobre conducida dentro de la tierra debería proporcionar una conexión a tierra adecuada. Sin embargo, consulte con un electricista local para asegurarse de que los códigos locales se cumplen adecuadamente.

#### LA UBICACION DE TERMINAL DEL TIERRA:



## ADVERTENCIA



**No use una cañería que conduzca materiales combustibles como fuente de conexión a tierra.**

### LUBRICACION

**NO** intente arrancar este motor sin llenar el cárter con la cantidad y el tipo de aceite adecuados. Su generador ha sido enviado de fábrica sin aceite en el cárter. El operar la unidad sin aceite puede arruinar el motor.

Llene el motor con aceite de acuerdo con el manual del operador. Para unidades que cuentan con varilla del nivel del aceite, llene de aceite hasta que éste llegue al nivel adecuado. Las unidades que no cuentan con una varilla de nivel del aceite deben llenarse hasta la parte superior de la apertura del depósito de aceite.

### EL SENSOR DEL NIVEL BAJO DE ACEITE

La unidad está equipada con un sensor de bajo nivel de aceite. Inicialmente, si el nivel de aceite es menor que el requerido, el sensor activará un artefacto de la advertencia o parará el motor.

Si se apaga el generador y el nivel de aceite se encuentra dentro de las especificaciones, verifique que el generador no esté colocado a un ángulo que obliga que el aceite varíe su nivel. Colóquelo sobre una superficie pareja para corregir este problema. Si el motor no arranca, el nivel de aceite podría no ser el suficiente como para desactivar el interruptor de bajo nivel de aceite. Asegúrese de que el sumidero esté totalmente lleno de aceite.

### COMBUSTIBLE

Llene el tanque con gasolina sin plomo para automóviles, limpia y nueva. Puede usarse gasolina de grado regular siempre y cuando se obtenga un alto valor del octanaje (por lo menos 85 de octanaje de la bomba). Recomendamos que siempre utilice un estabilizador para combustible. Un estabilizador de combustible minimizará la formulación de depósitos de goma de combustible durante el almacenamiento. El estabilizador de combustible puede agregarse a la gasolina en el tanque de combustible o junto con la gasolina en un contenedor de almacenamiento.



## PRECAUCIÓN



- **AGREGUE LENTAMENTE SIN PLOMO GASOLINA AL TANQUE DE COMBUSTIBLE**
- **NO LLENE DEMASIADO EL TANQUE**
- **NO LLENE ENCIMA DE PARTE SUPERIOR DE PANTALLA DE COMBUSTIBLE. ESTO PERMITIRÁ LA EXPANSIÓN DURANTE EL CLIMA CÁLIDO, EVITANDO ASÍ EL DERRAME.**

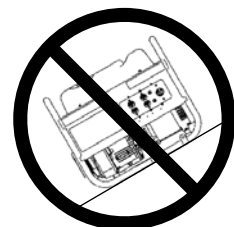


### COLOCACIÓN

- Coloque el generador en una superficie plana y sólida para prevenir que se hunda.
- Mantenga el combustible, aceite u otros explosivos en una distancia segura del generador.
- Seleccione un sitio que este bien ventilado y protegido del tiempo.
- Coloque el generador con seguridad lejos de gente y animales.



**PRECAUCIÓN: INCLINAR PUEDE CAUSAR DERRAME DE COMBUSTIBLE**



## ARRANQUE DEL UNIDAD



### ADVERTENCIA



La gasolina es muy peligrosa. Si la gasolina hace contacto con superficies calientes puede ocasionar lesiones serias o la muerte.

1. No llene el tanque de combustible con el motor en marcha.
2. No derrame combustible al volver a llenar el tanque.
3. No mezcle aceite con la gasolina.
4. Siga todas las instrucciones y advertencias contenidas en el manual del operador.

### PREPARACION ANTES DE ARRANCAR

Antes de arrancar el generador, verifique si hay piezas sueltas o faltantes y si hay cualquier tipo de daño que podría haber ocurrido durante el envío.



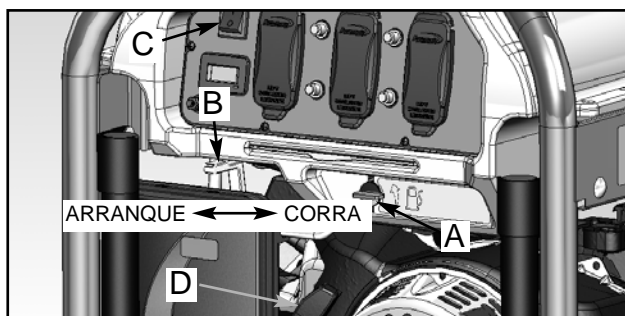
### ADVERTENCIA



Este generador no debe operarse sin tener colocados todos los escudos contra el calor instalados de fábrica. Si no se hace esto, podría recalentarse el tanque de combustible pudiendo ocurrir un incendio que cause lesiones personales.

### ARRANQUE DEL MOTOR

1. Controle el nivel de aceite y combustible.
2. Desconecte todas las cargas eléctricas de la unidad.
3. Abra la válvula de cierre de combustible (A) si tiene.
4. Regule el cebador (B) si hace falta.
5. Coloque la llave del motor (C) en posición de "ON".
6. Hale la sogá del arrancador (D) de un tirón rápido y parejo. Mientras se calienta el motor, vuelva a regular el cebador.



### PRECAUCIÓN



Permita que funcione el generador sin carga durante cinco minutos después de cada arranque inicial para permitir que se estabilicen el motor y el generador.



### PELIGRO



- Debe suministrar una ventilación adecuada para los gases tóxicos de escape y el flujo de aire refrigerante.
- No encienda o arranque el generador en un área cerrada, incluso si las puertas o ventanas están abiertas.
- El motor despidе monóxido de carbono, un gas venenoso, inodoro e invisible.
- Aspirar el monóxido de carbono puede ocasionar náusea, desfallecimiento o la muerte.

### COMO APLICAR UNA CARGA

Esta unidad ha sido previamente verificada y ajustada para manejar su capacidad máxima. Al arrancar el generador, desconecte todas las cargas. Aplique la carga solamente después de que el generador esté funcionando. El voltaje se regula por medio de la velocidad del motor ajustada en fábrica para la salida correcta. El reajuste anulará la garantía.



### PRECAUCIÓN



Al aplicar una carga, no exceda el vataje nominal máximo del generador al usar uno o más receptáculos. Además no exceda el amperaje nominal de ningún receptáculo individual.



### PRECAUCIÓN



No aplique una carga eléctrica fuerte durante el período inicial de funcionamiento (las primeras dos o tres horas de operación).

### APAGADO DEL GENERADOR

1. Retire toda la carga eléctrica.
2. Deje que el motor funcione durante dos minutos sin carga.
3. Mueva la llave del motor a la posición "OFF".
4. No abandone el generador hasta que se haya detenido por completo.
5. Cierre la válvula de paso del combustible si el motor debe colocarse en depósito o transportarse.
6. Si le va a colocar una cubierta, espere hasta que la unidad se haya enfriado.
7. Si no volverá a utilizar el generador por un largo período, consulte la sección **SERVICIO Y ALMACENAJE** de este manual.

## MANTENIMIENTO PERIÓDICO

ARTÍCULO	NOTAS	Diariamente (Antes de la operacion)	Inicial 20 horas	Cada 50 horas	Cada 100 horas
Bujía	Revise en qué condición se encuentra. Ajuste el espacio y límpiela. Reemplácela, si fuera necesario.			✓	
Aceite del motor	Revise el nivel de aceite.	✓			
	Cámbielo.		✓		✓
Filtro de aire	Reemplácelo, si fuera necesario.			✓	
Filtro de combustible	Limpie la válvula de combustible y el filtro del tanque de combustible. Reemplácelos, si fuera necesario.				✓
Conducto del combustible	Revise si en la manguera de combustible hay fisuras u otro daño. Reemplácela, si fuera necesario.	✓			
Sistema de escape	Verifique si existe fuga. Vuelva a apretar el empaque o reemplácelo, si fuera necesario.	✓			
	Revise el filtro del silenciador. Límpielo/reemplácelo, si fuera necesario.			✓	
Carburador	Revise el funcionamiento del estrangulador.	✓			
Cómo arrancar el sistema	Revise el funcionamiento del arranque de impacto trasero.	✓			
Adaptadores/afianzadores	Revíselos. Reemplácelos, si fuera necesario.				✓

## MANTENIMIENTO

### BUJIA

Retire la bujía y limpie la sección de los electrodos con un cepillo de alambre o papel de lija. Luego fije la separación a 0,024/0,031 (0,6 a 0,8 mm) ajustando el electrodo negativo. Vuelva a colocar la bujía con el torque correcto: 14 pies-lb (20 N.m)



## PRECAUCIÓN

**Reemplace solamente por el mismo tipo de bujía que fue retirado. Una bujía incorrecta puede causar el sobrecalentamiento del motor, la emisión de humos o un rendimiento inadecuado del mismo.**

### TIPO DE ACEITE

Utilice aceite fresco de buena calidad, los categoria SJ o luego. El aceite que será usado depende de la temperatura a la cual funciona el motor:

Debajo de 32° F (0° C) . . . . .SAE 10W, 10W-30, o 10W-40  
 32 a 80° F (0 a 25° C) . . . . .SAE 20W, 10W-30, o 10W-40  
 80 a 95° F (25 a 35° C) . . . . .SAE 30W, 10W-30, o 10W-40  
 Arriba 95° F (35° C) . . . . .SAE 40W

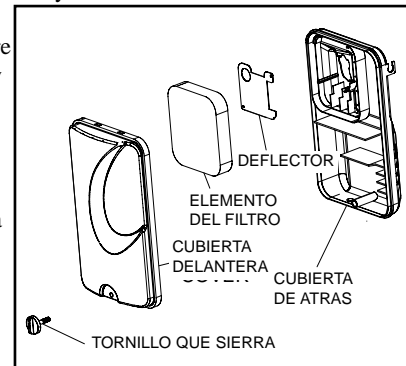
### CAMBIO DEL ACEITE

1. Cambie el aceite cuando el motor esté caliente.

2. Coloque la unidad de generador en una superficie nivelada.
3. Retire el tapón de llenado del aceite.
4. Abra el tapón de drenaje del aceite y deje que éste se vacíe completamente en un recipiente colocado debajo del motor.
5. Revise los empaques. Reemplácelos, si fuera necesario.
6. Vuelva a instalar el tapón de drenaje del aceite y llene de nuevo el motor con aceite limpio.
7. Vuelva a colocar el tapón de llenado del aceite.

### CÓMO LIMPIAR EL FILTRO DE AIRE

1. Afloje el tornillo de la cubierta del filtro de aire.
2. Retire el elemento del filtro y lávelo bien en solvente.
3. Vierta una pequeña cantidad de aceite sobre el elemento del filtro y sacuda suavemente cualquier exceso de aceite.
4. Vuelva a colocar el elemento del filtro y la cubierta del filtro de aire.
5. Asegúrese de que la cubierta del filtro selle adecuadamente en todas partes.



### LIMPIEZA DEL FILTRO DE COMBUSTIBLE

1. Retire el filtro plástico de combustible que se ubica debajo del tapón del tanque de combustible.
2. Lave el filtro en solvente y vuelva a colocarlo.

### 3.5 CLARIDAD DE LA VALVULA

Toma de entrada — 0.1 - 0.15 mm, (0.004" - 0.006" pulgadas)

Escape — 0.15 - 0.02 mm (0.006" - 0.0008" pulgadas)

**Luego de las primeras 50 horas de operación, revise la claridad de la válvula en el motor y ajústela si es necesario.**

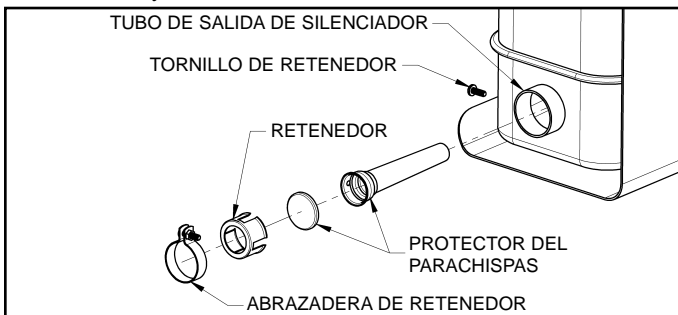
**Importante:** Si se siente incómodo haciendo este procedimiento o no tiene disponibles las herramientas apropiadas, por favor lleve el generador al centro de servicio más cercano para ajustar la claridad de la válvula. Este es un paso muy importante para asegurar la mayor vida de su motor.

### PROTECTOR DEL PARACHISPAS

Retire el protector cada 50 horas para la limpieza e inspección. Reemplácela si está dañada.

**Limpie e inspeccione el parachispas de la siguiente manera:**

1. Quite la retenedor de protectoe quitando la abrazadera de retenedor.
2. Quite el tornillo de retenedor de la tubo de salida de silenciador.
3. Deslice la protector del parachispas fuera del tubo de salida de silenciador.
4. Tenga cuidado de no dañar el protector del parachispas. El parachispas debe estar sin rajaduras y agujeros. Si protector no es dañada, lo limpie con un solvente de commercial.
5. Reemplace la protector y la retenedor y asegure con tornillo de retenedor y abrazadera.



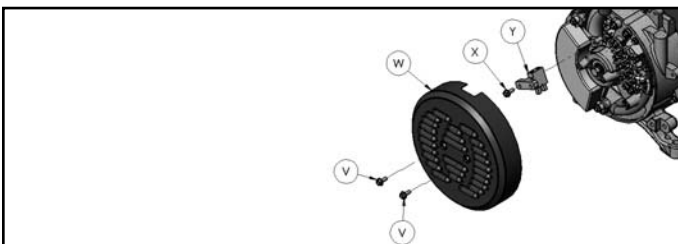
### GENERADOR: Escobillas

Las escobillas del generador deben ser inspeccionadas una vez por año para verificar que no estén rajadas o resquebrajadas. Las escobillas deben reemplazarse cuando se han desgastado hasta un espesor de 1/4 de pulgada (7 mm).

**NOTA: Reemplace las escobillas en conjunto, nunca de manera separada. Reemplace sólo con escobillas especificadas en la lista de piezas. Otras escobillas pueden parecer idénticas pero podrían tener características mecánicas y eléctricas completamente diferentes.**

### PARA REVISAR LAS ESCOBILLAS:

1. Retire los 2 tornillos (V) y la cubierta del fin (W).
2. Retire los tornillo (X) que sostienen la módulo del cepillo (Y).
3. Desconecte, desde la aleta, el cable azul (+) o el cable amarillo (+) de las escobillas.
4. Reemplace las escobillas si están gastadas en 1/4 de pulgada (7 mm).
5. No apriete demasiado los tornillos.



### ESCUDO DE CALOR:

Inspecciónelo para asegurarse de que todos los escudos de calor y los deflectores de calor estén intactos y en su lugar. No retire ni modifique ninguna pieza. Retirar o modificar las piezas puede ocasionar daños serios a la unidad.

### MOTOR: Congelamiento del carburador

Durante los meses de invierno, podrían desarrollarse condiciones atmosféricas poco usuales que causen una condición de conge-lamiento en el carburador. Si esto ocurre, el motor podría funcionar mal, perder potencia y detenerse. Para obtener más información llame al Dpto. De Servicios sobre el producto.

### CONSEJOS PARA UN ENCENDIDO RÁPIDO EN UNIDADES QUE HAN ESTADO INHABILITADAS DURANTE UN TIEMPO:

Si su unidad ha estado fuera de servicio durante un periodo de tiempo extenso y es difícil que encienda, intente realizar algunos de estos fáciles pasos antes de llamar a la línea directa de información de servicio al cliente.

1. Verifique el nivel del aceite.
2. Reemplace el combustible viejo.
3. Cambie la bujía de encendido.
4. Verifique los conductos de combustible. Asegúrese de que esté abierta la válvula de combustible.
5. Verifique la integridad de todas las piezas del generador.
6. Limpie el carburador.

## SERVICIO Y ALMACENAMIENTO

### SERVICIO POCO FRECUENTE

Si la unidad no se utiliza frecuentemente, podrían ocurrir dificultades al arrancar. Para eliminar el arranque con dificultad, siga estas instrucciones:

1. Ponga a funcionar el generador por lo menos 30 minutos cada mes.
2. Ponga a funcionar el generador, luego cierre la válvula de bloqueo de combustible y permita que la unidad siga en funcionamiento hasta que el motor se detenga.
3. Mueva la llave del motor a la posición "OFF".

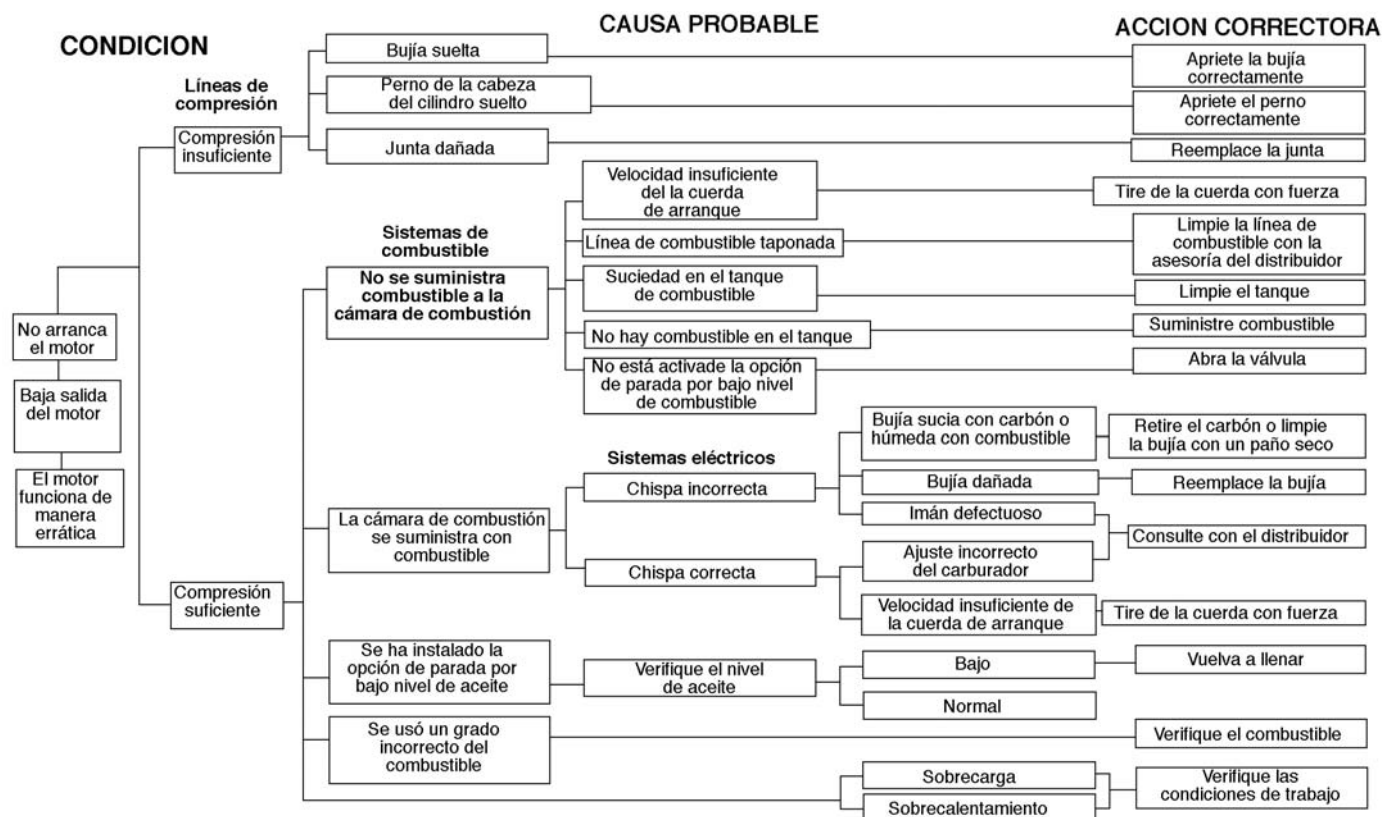
### ALMACENAMIENTO A LARGO PLAZO

Cuando el equipo generador no se está operando o está almacenado durante más de un mes, siga las instrucciones siguientes:

1. Vuelva a llenar de aceite el motor hasta su nivel superior.
2. Ponga a funcionar el generador, luego cierre la válvula de bloqueo de combustible y permita que la unidad siga en funcionamiento hasta que el motor se detenga.
3. Mueva la llave del motor a la posición "OFF".
4. Después de que la unidad se ha enfriado, drene el combustible del tanque de combustible, el conducto de combustible y el carburador.
5. Vierta hasta una cucharadita de aceite para motores a través del orificio de la bujía, tire del arrancador de reacción varias veces y reemplace la bujía. Luego tire del arrancador hasta que sienta que el pistón está en su carrera de compresión y déjelo en esta posición. Esto cierra las válvulas de entrada y escape para evitar que el interior del cilindro se oxide.
6. Cubra la unidad y almacénela en un lugar limpio y seco con buena ventilación y lejos de chispas o llamas.

**NOTA: Recomendamos que siempre utilice un estabilizador para combustible. Un estabilizador de combustible minimizará la formulación de depósitos de goma de combustible durante el almacenamiento. El estabilizador de combustible puede agregarse a la gasolina en el tanque de combustible o junto con la gasolina en un contenedor de almacenamiento.**

## DETECCION DE FALLOS DEL MOTOR



## ESPECIFICACIONES DEL MOTOR

<b>Tipo</b> .....	4 carreras, cilindro único, gasolina, OHV
<b>Desplazamiento</b> .....	389 cc, 23,74 pulg cúbicas
<b>RPM nominal</b> .....	3600
<b>Sistema de arranque</b> .....	Reculado
<b>Capacidad de aceite</b> .....	1,1 litros (37 oz)
<b>Bujía</b> .....	NGK BP7ES o equivalente
<b>Gobernador</b> .....	Mecánico (adjustable)
<b>Sistema de enfriamiento</b> .....	Enfriamiento forzado de aire
<b>Tipo de limpiador de aire</b> .....	Elemento de espuma

**COMUNÍQUESE CON EL  
DEPARTAMENTO DE SERVICIO  
SOBRE EL PRODUCTO  
PRAMAC AMERICA  
EN EL  
1-800-445-1805  
o en [www.powermate.com](http://www.powermate.com)  
para obtener información sobre el  
servicio de la garantía o para  
ordenar piezas de reemplazo o  
accesorios.**

**COMO PEDIR LOS REPUESTOS**

Incluso equipos de calidad como el generador eléctrico que usted ha adquirido podrían necesitar repuestos ocasionales para mantenerlos en buenas condiciones a través de los años. Para pedir repuestos, por favor proporcione la información siguiente:

1. No. de modelo y No. de serie y todas las especificaciones que aparecen en la placa del No. de modelo/No. de serie.
2. El número de las piezas como se muestra en la Sección Listado de Piezas.
3. Una breve descripción del problema con el generador.

**Pramac America, LLC**  
4970 Airport Road  
P. O. Box 6001  
Kearney, NE 68847  
1-800-445-1805  
[www.powermate.com](http://www.powermate.com)

**REGISTRE SU PRODUCTO**

**Registre su generador de Powermate® en  
línea en [www.powermate.com](http://www.powermate.com).**



**Cobertura de la garantía:** Pramac America, LLC (la Compañía) garantiza al cliente minorista original en América del Norte, que reparará o reemplazará, sin costo alguno, cualesquiera partes que la Compañía o cualquiera de sus representantes de servicio autorizados encuentren defectuosas en sus materiales o en su fabricación. Esta garantía cubre el costo de partes de reemplazo y mano de obra por defectos en materiales o en fabricación.

**No están cubiertos:**

- Costos de transporte por el envío del producto a la Compañía o a sus representantes de servicio autorizados por servicio de garantías, o por el reenvío de los productos reparados o de reemplazo al consumidor; estos cargos los deberá cubrir el cliente.
- Si un manual separado de operario y garantía de motor del fabricante de motor se incluyen con este producto, sólo esa garantía aplicará al motor.
- Daños ocasionados por el mal uso o por un accidente, y los efectos de la corrosión, la erosión, el desgaste y el uso normales.
- La garantía no será válida si el consumidor no instala, da mantenimiento y hace funcionar el producto de acuerdo con las instrucciones y recomendaciones de la Compañía, descritas en el manual del usuario, o si el producto se utiliza como equipo de arrendamiento.
- La Compañía no pagará por reparaciones ni ajustes al producto, ni costos ni mano de obra, realizado sin la Compañía's la autorización previa.

**Período de garantía:** Dos (2) años de la fecha de la compra en productos utilizados únicamente para aplicaciones de consumo; si un producto se utiliza para usos comerciales o con fines de lucro, el período de garantía se limitará a Un (1) año a partir de la fecha de compra. Para obtener el servicio de garantía, el cliente debe proporcionar el comprobante de compra fechado y debe notificar a la Compañía dentro del período de garantía.

**Para el servicio de garantía: Llame sin costo al número 800-445-1805 o escriba a *Pramac America, LLC, Product Services, 4970 Airport Road, P. O. Box 6001, Kearney, NE 68847 EE. UU.***

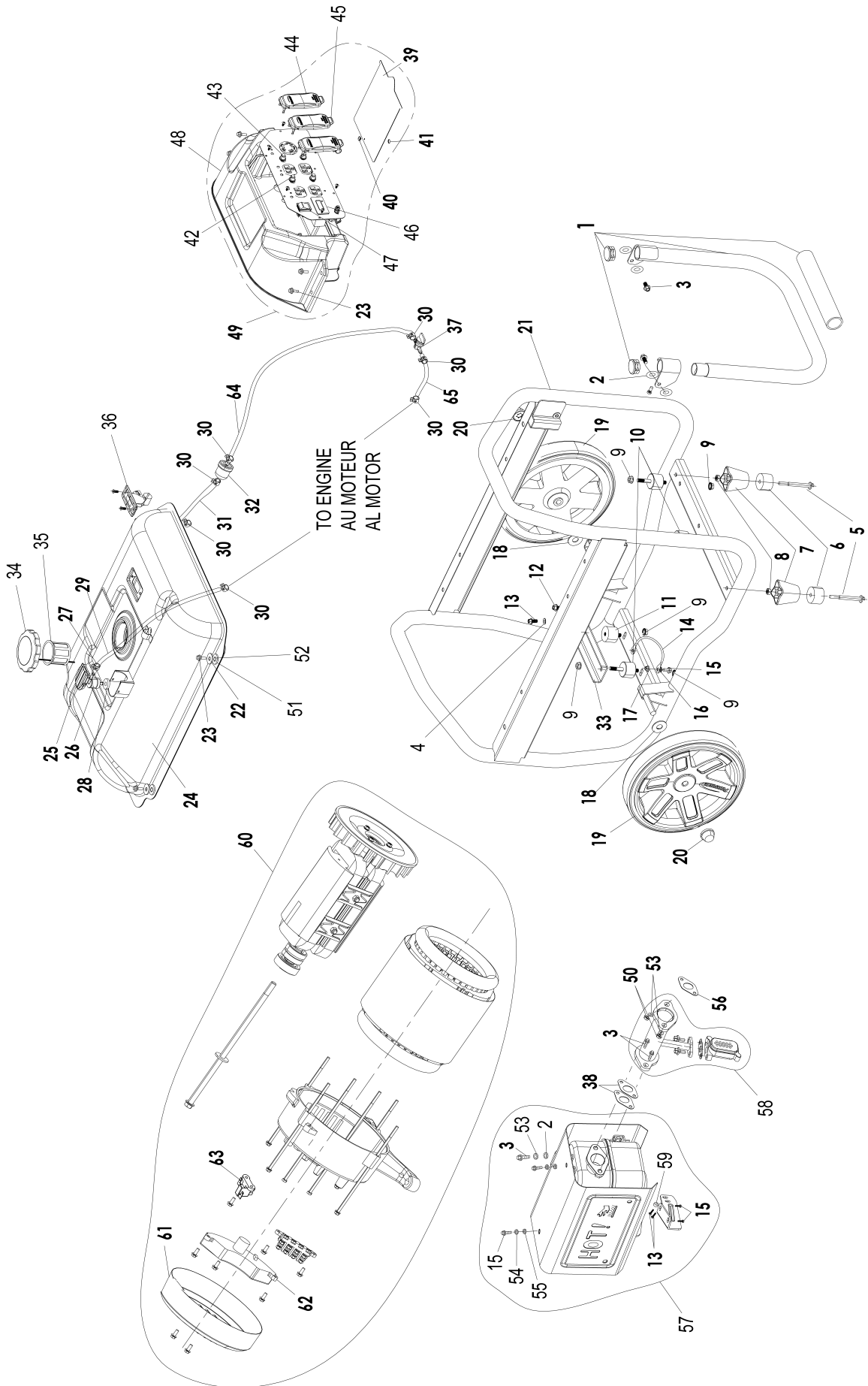
**EXCLUSIONES Y LIMITACIONES:** LA COMPAÑÍA NO OTORGA NINGUNA OTRA GARANTÍA DE NINGÚN TIPO, EXPLÍCITA O IMPLÍCITA. POR ESTE MEDIO SE RENUNCIA A LAS GARANTÍAS IMPLÍCITAS, INCLUYENDO GARANTÍAS DE COMERCIABILIDAD O DE ADAPTABILIDAD PARA UN PROPÓSITO PARTICULAR. EL SERVICIO DE GARANTÍA DESCRITO ANTERIORMENTE ES EL RECURSO EXCLUSIVO CUBIERO POR ESTA GARANTÍA; LA RESPONSABILIDAD CIVIL POR DAÑOS INCIDENTALES Y CONSEQUENTES SE EXCLUYEN EN LA MEDIDA EN QUE LA LEY LO PERMITA.

Esta garantía le otorga derechos legales específicos y también puede ser objeto de otros derechos que varían de estado a estado. Algunos Estados no permiten la exención de responsabilidad de garantías implícitas o la exclusión o limitación de daños incidentales o consecuentes, de manera que las exenciones y exclusiones de responsabilidades pueden no ser aplicables a usted.





PARTS DRAWING / SCHEMA DES PIÈCES / DIAGRAMA DE PIEZAS - PM0125500



**PARTS LIST / LISTE DES PIÈCES / LISTA DE PIEZAS - PM0125500**

REF. NO.	PART NO.	DESCRIPTION	DESCRIPTION	DESCRIPCION	QTY
1	0069172	Handle assembly	Ensemble de poignée	Conjunto de manija	1
2	Note A	Washer, flat M8 wide	Rondelle plate M8	Arandela, plana M8	5
3	Note A	Bolt HWH M8-1.25 x 25	Boulon M8-1.25 x 25	Perno M8-1.25 x 25	5
4	Note A	Washer, flat M8	Rondelle plate M8	Arandela, plana M8	1
5	Note A	Bolt HWH M8-1.25 x 80	Boulon M8-1.25 x 80	Perno M8-1.25 x 80	2
6	0069397	Foot, rubber	Pied	Pie	2
7	0069168	Spacer, foot	Entretoise	Espaciador	2
8	Note A	Nut, nyloc M8-1.25	Écrous nyloc M8-1.25	Tuerca, nyloc M8-1.25	2
9	Note A	Nut, hex flg M8-1.25 Serr	Écrous M8-1.25	Tuerca, M8-1.25	8
10	0069398	Isolator, round	Sectionneur	Aislador	3
11	0069399	Isolator, round single bolt	Sectionneur	Aislador	1
12	Note A	Bolt HWH M8-1.25 x 32	Boulon M8-1.25 x 32	Perno M8-1.25 x 32	1
13	Note A	Bolt HWH M8-1.25 x 16	Boulon M8-1.25 x 16	Perno M8-1.25 x 16	3
14	0069400	Assembly, ground wire	Ensemble fil de mise à la terre	Conjunto, câble de tierra	1
15	Note A	Bolt HWH M6-1.0 x 12	Boulon M6-1.0 x 12	Perno M6-1.0 x 12	9
16	Note A	Washer, star external M6	Rondelle à dents externa M6	Arandela, estrella M6	1
17	Note A	Nut, hex flg M6-1.0 Serr	Écrous M6-1.0	Tuerca, M6-1.0	1
18	Note A	Washer, flat M14	Rondelle plate M14	Arandela, plana M14	2
19	0069256	Wheel	Roue	Rueda	2
20	0053188	Hub cap	Chapeau d'essieu	Tapa de eje	2
21	0069157	Frame	Cadre	Marco	1
22	Note A	Washer, flat M6 wide	Rondelle plate M6	Arandela, plana M6	4
23	Note A	Bolt HWH M6-1.0 x 25	Boulon M6-1.0 x 25	Perno M6-1.0 x 25	8
24	0069176	Fuel tank	Réservoir de carburant	Tanque de metal de combustible	1
25	0069221	Cover, roll over valve	Couvercle	Tapa	1
26	0067767	Valve, rollover	Soupape	Válvula	1
27	0050859	Clamp, hose 9.5mm	Crampon, tuyau 9.5mm	Abrazadera, manguera 9.5mm	1
28	0065127	Bushing, valve	Bague	Buje	1
29	1130660180	Hose, fuel 673mm lg (26.5")	Flexible 673mm la longueur	Manguera 673 longitud de Mm	1
30	0069343	Clamp, hose 12mm	Crampon, tuyau 12mm	Abrazadera, manguera 12mm	7
31	1130634480	Hose, fuel 100mm lg (3.94")	Flexible 100mm la longueur	Manguera 100 longitud de Mm	1
32	0047790	Fuel filter	Filtre à carburant	Filtro de combustible	1
33	0069167	Bracket, stator	Support	Soporte	1
34	0069372	Fuel Cap	Capuchon	Tapa de combustible	1
35	0061942	Fuel filter	Filtre à carburant	Filtro de combustible	1
36	0069376	Fuel gauge/screws	Jauge de carburant/vis	Indicador de combustible/tornillos	1
37	0049920	Fuel shut off	Robinet de carburant	Válvula de combustible	1
38	0069401	Gasket, exhaust	Joint	Empaquetadera	2
39	0069299	Instruction card	Carte d'Instruction	Tarjeta de Instrucción	1
40	0069402	Rivet A	Rivet A	Remanche A	1
41	0069403	Rivet B	Rivet B	Remanche B	1
42	0069404	Circuit Breaker 20 amp	Disjoncteurs 20 amp	Cortacircuitos 20 amp	2
43	0069405	Circuit Breaker 23 amp	Disjoncteurs 23 amp	Cortacircuitos 23 amp	2
44	0069335	Cover, twistlock receptacle	Couvertures pour les prises	Couvercles para receptáculos	1
45	0068044	Cover, duplex receptacle	Couvertures pour les prises	Couvercles para receptáculos	2
46	0069300	Hour meter	Horomètre	Contador Horario	1
47	0069266	Engine on/off switch	Interrupteur de marche/arrêt	Interruptor de en/de	1
48	0069185	Housing, control panel	Corps	Compartimento	1
49	0069214	Panel, wired	Tableau complet câblé	Panel, cabeado completo	1
50	Note A	Nut, hex M8-1.25	Écrous M8-1.25	Tuerca, M8-1.25	2
51	0069407	Grommet	Oeillet	Arandela de cabo	4
52	0069408	Insert mount	Insertion	Inserto	4
53	Note A	Washer, lock M8	Contre-écrou M8	Arandela, de cierre M8	3
54	Note A	Washer, lock M6	Contre-écrou M6	Arandela, de cierre M6	6
55	Note A	Washer, flat M6	Rondelle plate M6	Arandela, plana M6	6
56	0069409	Gasket, exhaust	Joint	Empaquetadera	1
57	0069410	Muffler assembly	Ensemble de silencieux	Conjunto de silenciador	1
58	0069411	Assy, manifold & air valve	Ensemble de collecteur et soupape	Conjunto, múltiple y válvula	1
59	0069412	Grommet	Oeillet	Arandela de cabo	2
60	0069269	Alternator 5.5KW	Alternateur	Alternador	1
61	0069318	Cover, end	Couvercle	Tapa	1
62	0069319	AVR module	La tension automatique régulatrice	El regulador automático del voltaje	1
63	0069320	Brush module	Brosser le module	Cepille módulo	1
64	1130634480	Hose, fuel 200mm lg (7.88")	Flexible 200mm la longueur	Manguera 200 longitud de Mm	1
65	1130634480	Hose, fuel 220mm lg (8.66")	Flexible 220mm la longueur	Manguera 220 longitud de Mm	1

Note A: These are standard parts available at your local hardware store.



**WARNING:** To avoid possible personal injury or equipment damage, a registered electrician or an authorized service representative should perform installation and all service. Under no circumstances should an unqualified person attempt to wire into a utility circuit.

Remarque A: Ces pièces sont des pièces standard disponibles en quincaillerie.



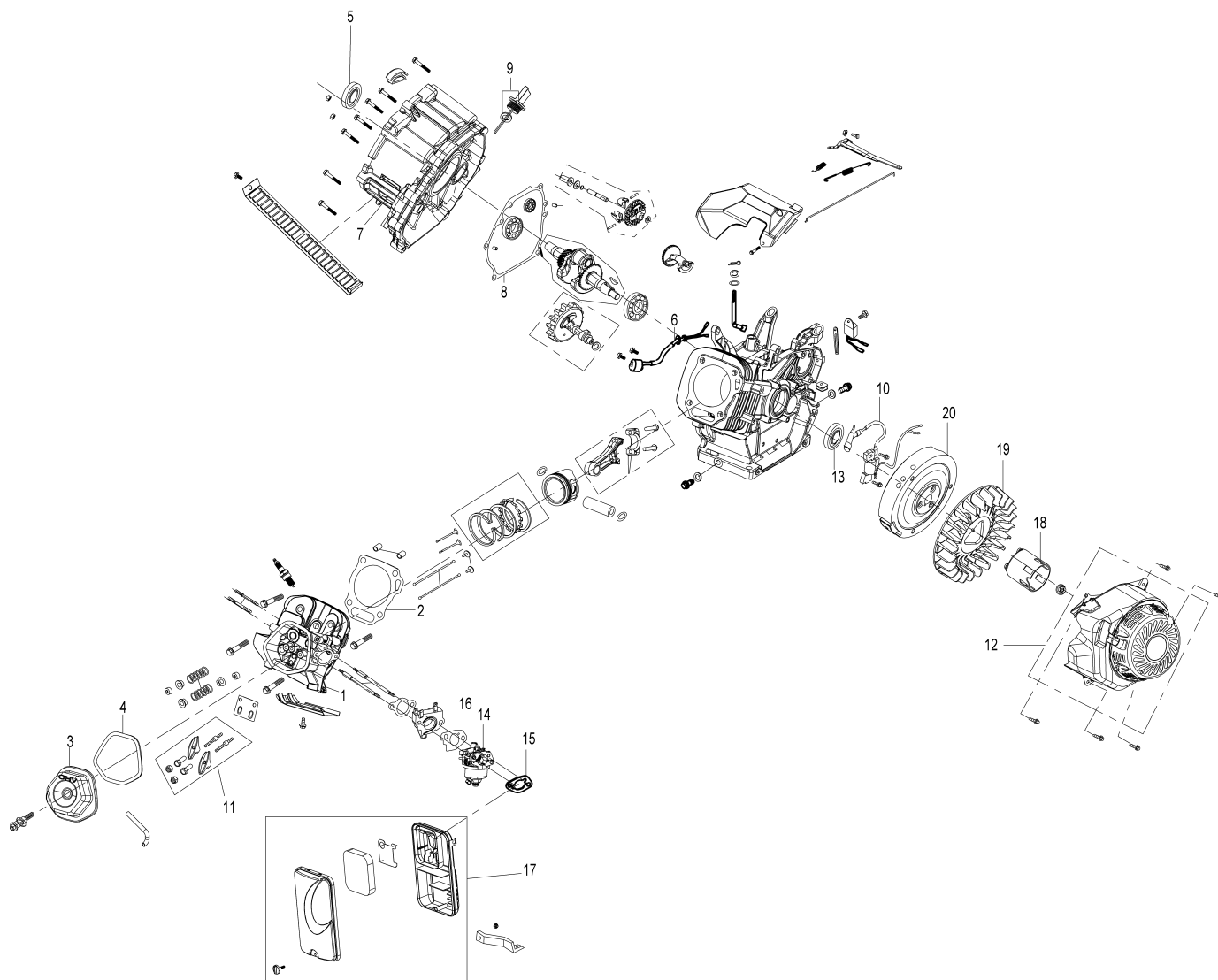
**AVERTISSEMENT:** Pour éviter toute blessure personnelle ou dommage à l'équipement, l'installation et tout entretien devraient être effectués par un électricien qualifié ou un préposé au service autorisé. En aucun cas, une personne non-qualifiée ne devrait essayer de faire le raccord au circuit principal.

Nota A: Estas son piezas estándar disponibles en su ferretería local.



**ADVERTENCIA:** Para evitar posibles lesiones físicas o daños materiales, es necesario que la instalación y todo el servicio sea realizado por un electricista matriculado o representante de servicio autorizado. Bajo ninguna circunstancia debe permitirse que una persona que no está capacitada trate de manipular cables dentro del circuito de servicio eléctrico.

## ENGINE DRAWING / SCHEMA DE MOTEUR / DIAGRAMA DE MOTOR



**ENGINE PARTS LIST / LISTE DES PIÈCES DU MOTEUR / LISTA DE PIEZAS DEL MOTOR**

REF. NO.	PART NO.	DESCRIPTION	DESCRIPTION	DESCRIPCION	QTY
	0069267	Engine 389 cc	Moteur 389 cc	Motor 389 cc	1
1	0069377	Cylinder head assembly	Ensemble de tete de cylindre	Conjunto de cabezal de cilindro	1
2	0069378	Gasket, cylinder head	Joint	Empaquetadura	1
3	0069379	Cover, cylinder head	Couvercle	Tapa	1
4	0069380	Gasket, cylinder head cover	Joint	Empaquetadura	1
5	0069381	Oil seal	Joint	Sello	1
6	0069382	Sensor, engine oil	Détecteur	Sensor	1
7	0069383	Cover, crankcase	Couvercle	Tapa	1
8	0069384	Gasket, crankcase	Joint	Empaquetadura	1
9	0069385	Oil dipstick	Jauge de niveau d'huile	Varilla de aceite	1
10	0069386	Coil, ignition	Bobine d'allumage	Bobina de encendido	1
11	0069387	Kit, rocker valves & bolts	Jeu de soupapes et boulons	Juego de válvulas y pernos	1
12	0069388	Engine recoil assembly	Moteur recule l'assemblée	Asamblea de retráctil de motor	1
13	0069389	Oil seal	Joint	Sello	1
14	0069390	Carburetor	Carburateur	Carburador	1
15	0069391	Gasket, air cleaner	Joint	Empaquetadura	1
16	0069392	Gasket, carburetor	Joint	Empaquetadura	1
17	0069393	Air cleaner	Aérer le nettoyeur	Limpiador aéreo	1
18	0069394	Pulley, starter	Poulie de démarreur	Polea de arrancador	1
19	0069395	Fan, flywheel	Ventilateur	Ventilador	1
20	0069396	Flywheel	Volant-moteur	Volante	1

## **EMISSION SYSTEM WARRANTY**

Pramac America, LLC (herein "Pramac America")  
and the United States Environmental Protection Agency (U.S. EPA)  
Emission Control System Warranty Statement (Owner's Direct Warranty Rights and Obligations)

### **United States Emission Control Defects Warranty Statement**

U.S. EPA and Pramac America are pleased to explain the Emission Control System Warranty on your model year 2011-2012 and later spark ignited small off-road engine/equipment. In all areas of the United States, your engine/equipment must be designed, built and equipped to meet U.S. EPA emission standards for spark ignited small off-road engine/equipment at or below 19 kilowatts.

Pramac America must warrant the emission control system on your engine/equipment for the period of time listed below, provided there has been no abuse, neglect or improper maintenance on your spark ignited small off-road engine/equipment. Where a warrantable condition exists, Pramac America will repair your spark ignited small off-road engine/equipment at no cost to you including diagnosis, parts and labor. Your emission control system includes parts such as carburetor, air filter, ignition system, exhaust manifold and catalytic converter (when present). Also included may be hoses, connectors, and other emission-related assemblies.

### ***Manufacturer's Emission Control Defects Warranty Coverage***

Spark ignited small off-road engines/equipment are warranted relative to emission control parts defects for a period of two (2) years, subject to the provisions stated below. If any emission related part on your engine/equipment is defective, the part will be repaired or replaced by Pramac America. The warranty period begins on the date the product is delivered to the initial owner.

### **Owner's Warranty Responsibility**

As the spark ignited small off-road engine/equipment owner, you are responsible for the performance of the require maintenance listed in the owner's manual. Pramac America recommends that you retain all receipts covering maintenance on your spark ignited small off-road engine/equipment, but Pramac America cannot deny warranty solely for the lack of receipts or for your failure to ensure the performance of all scheduled maintenance.

As the owner of a spark ignited small off-road engine/equipment, you should however be aware that Pramac America may deny you warranty coverage if your spark ignited small off-road engine/equipment or part has failed due to abuse, neglect, improper maintenance or unapproved modifications.

You are responsible for presenting your spark ignited small off-road engine/equipment to an authorized service center as soon as a problem exists. The undisputed warranty repairs should be completed in a reasonable period of time, not to exceed 30 days. For the location of an authorized service center and any questions you may have regarding your warranty rights and responsibilities, you should call our parts and technical support group toll free at 800-445-1805 M-F, 8:00 AM to 5:00 PM CST.

The emission warranty is a defects warranty and defects are judged on normal engine/equipment performance. The warranty is not related to an in-use emission test.

### **Emission Control System Warranted Parts**

Coverage under this warranty extends only to the parts listed below (the emission control system parts) to the extent that these parts were present on the engine/equipment purchased.

#### **Fuel Metering and Evaporative System**

Carburetor and/or internal parts

Fuel tank, Fuel cap, Fuel line fittings, Clamps, Fuel hoses, Fuel cock, Roll over valve, vapor hoses

#### **Air Induction System**

Air filter\*

Intake manifold

#### **Exhaust System**

Exhaust manifold

Catalyst

Pulse air valve

#### Ignition System

- Flywheel magneto
- Ignition coil assembly
- Spark plug\*

#### Miscellaneous parts

Hoses, seals, gaskets, connectors and assemblies associated with listed parts

Note: \* Covered up to the first required replacement only. See the maintenance schedule in the Owner's Manual.

#### **Length of Coverage**

Pramac America warrants to the initial owner and each subsequent purchaser that the spark ignited small off-road engine/equipment is free from defects in materials and workmanship which can cause the failure of an emission warranted part for a period of two (2) years after the engine/equipment is delivered to the original retail purchaser. Warranty coverage shall extend to the failure of any engine/equipment components caused by the failure of any warranted part still under warranty.

#### **Limitations**

The Emission Control System Warranty will be applicable if the installation of the spark ignited small off-road engine/equipment was:

- (a) Designed, built and accessorized so as to conform with all applicable regulations, and
- (b) Free from defects in material and workmanship which cause the failure of a warranty covered part at any time during the Emission Control System Warranty period

The Emission Control System Warranty shall NOT cover any of the following:

- (a) Repair or replacement required as the result of misuse or neglect, improper maintenance or unapproved modifications, repairs improperly performed or replacement improperly installed, use of unapproved replacement parts or accessories and modifications not recommended by Pramac America.
- (b) Replacement parts, other services and adjustments necessary for normal maintenance.
- (c) Transportation to and from the authorized service center or retailer.

#### **Limited Liability**

The liability of Pramac America under this Emission Control System Warranty is limited solely to the remedy of defects in materials or workmanship. This warranty does not cover inconvenience or loss of the spark ignited small off-road engine/equipment or transportation of same to an authorized service center. Pramac America shall not be liable for any other expenses, loss, or damage, whether direct, incidental, consequential (except as listed) or exemplary arising in connection with the sale or use of or inability to use the spark ignited small off-road engine/equipment for any other purpose.

No express Emission Control System Warranty is given by Pramac America with respect to the engine/equipment except as specifically set forth in this document. Any Emission Control System Warranty implied by law, including any warranty of merchantability or fitness for a particular purpose, is expressly limited to the Emission Control System Warranty terms set forth in this document.

# **Pramac America, LLC**

**4970 Airport Road  
P. O. Box 6001  
Kearney, NE 68847  
1-800-445-1805**

© 2011 Pramac America, LLC. All rights reserved.  
Powermate® is a registered trademark of Pramac America, LLC.

© 2011 Pramac America, LLC. Tous droits réservés.  
Powermate® est une marque déposée de Pramac America, LLC.

© 2011 Pramac America, LLC. Reservados todos los derechos.  
Powermate® es una marca comercial registrada de Pramac America, LLC.